



## Specifications

### Batten Material

Hardwood Spotted Gum

Enviroslat Composite Woodgrain

Aluminium Aussie Gum

### Fixing Type

Bolt Down Fixing

Extended Leg (Into Footing)

Sub Surface Bolt Down (Specify Depth)

### Umbrella Plate

With Umbrella Plate (47mm)

Without Umbrella Plate

### Frame Finish

Mild Steel Galvanised

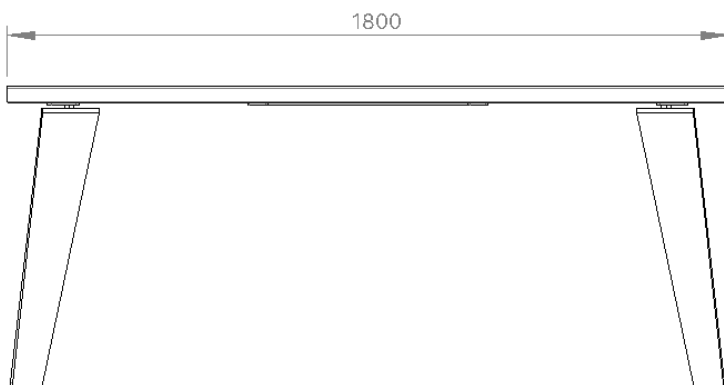
Mild Steel Powdercoated

Stainless Steel Satin Polished

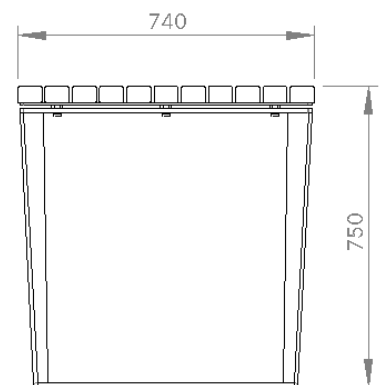
### Wheelchair Access

Yes (From One Side)

No End Access



FRONT



RIGHT