

## Specifications

### Batten Material

Hardwood Spotted Gum

Enviroslat Composite Woodgrain

Aluminium Aussie Gum

### Frame Finish

Mild Steel Galvanised

Mild Steel Powdercoated

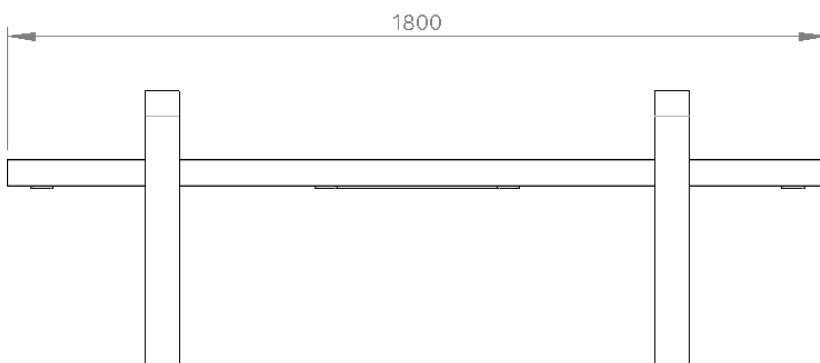
Stainless Steel Satin Polished

### Fixing Method

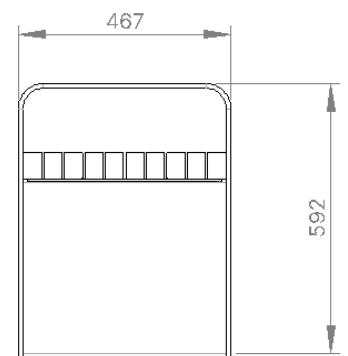
Bolt Down Fixing

Extended Leg (Into footing)

Sub Surface Bolt Down



FRONT



RIGHT