



Specifications

Frame Finish

Mild Steel Powdercoated

Fixing Type

Bolt Down Fixing

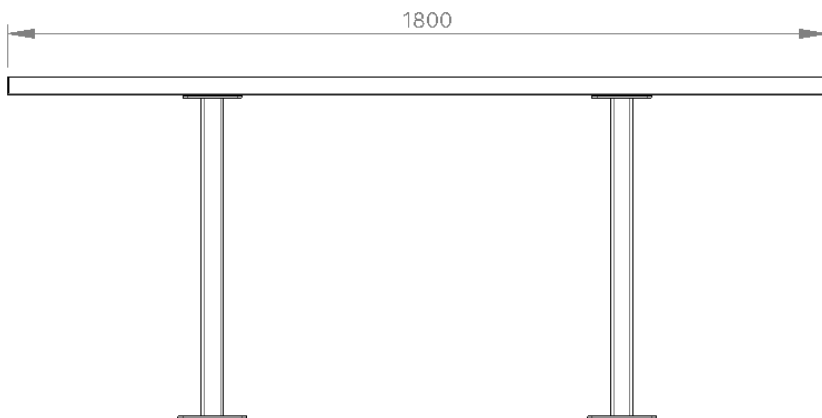
Extended Leg (Into Footing)

Sub Surface Bolt Down (Specify Depth)

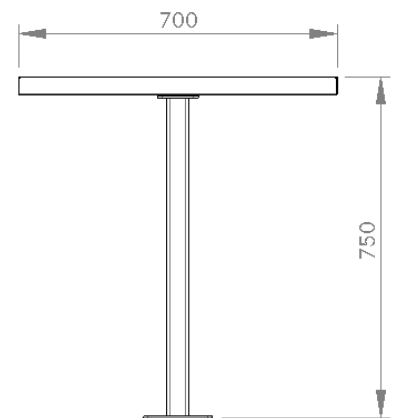
Wheelchair Access

Yes (From One Side)

No Access



FRONT



RIGHT