



Specifications

Batten Material

Hardwood Spotted Gum

Enviroslat Composite Woodgrain

Frame Finish

Mild Steel Galvanised

Mild Steel Powdercoated

Stainless Steel Satin Polished

Fixing Type

Bolt Down Fixing

Extended Leg (Into Footing)

Sub Surface Bolt Down (Specify Depth)

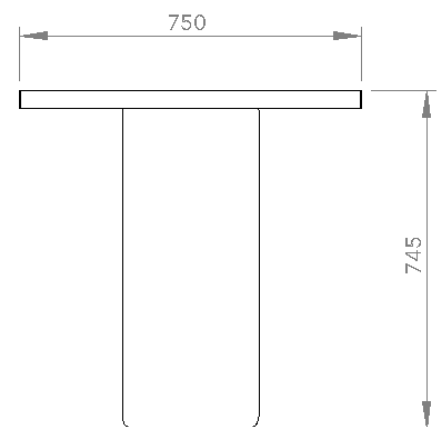
Umbrella Plate

With Umbrella Plate (47mm)

Without Umbrella Plate



FRONT



RIGHT