



Specifications

Batten Material

Hardwood Spotted Gum

Enviroslat Composite Woodgrain

Aluminium Aussie Gum

Frame Finish

Mild Steel Galvanised

Mild Steel Powdercoated

Stainless Steel Satin Polished

Fixing Type

Bolt Down Fixing

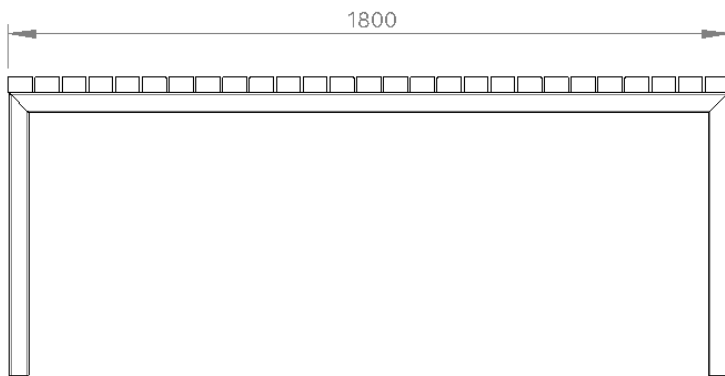
Extended Leg (Into Footing)

Sub Surface Bolt Down (Specify Depth)

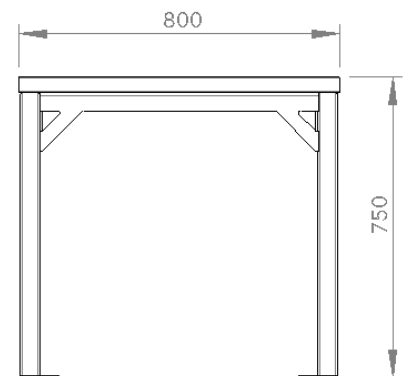
Umbrella Plate

With Umbrella Hole (47mm)

Without Umbrella Hole



FRONT



RIGHT