



Specifications

Frame Finish

Mild Steel Powdercoated

Fixing Type

Bolt Down Fixing

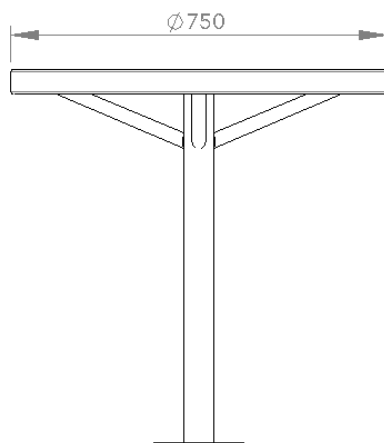
Extended Leg (Into Footing)

Sub Surface Bolt Down (Specify Depth)

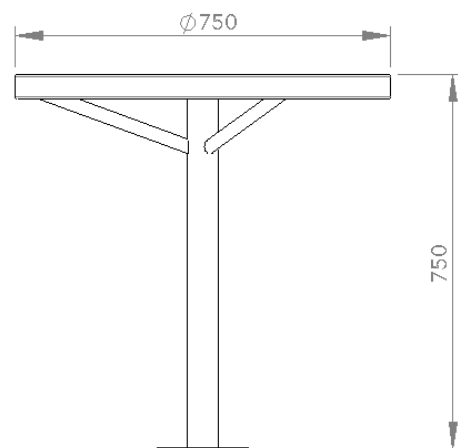
Size

750mm DIA

1000mm DIA



FRONT



RIGHT