



## Specifications

### Frame Finish

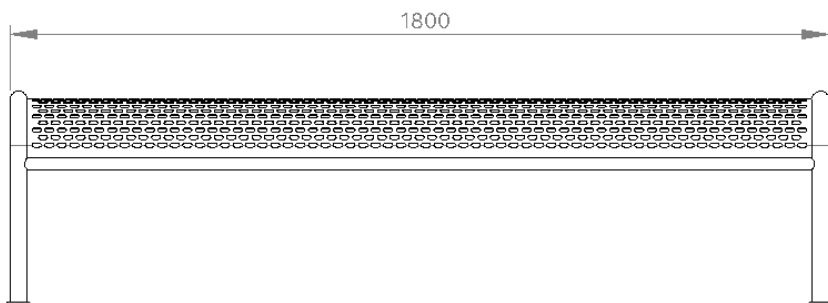
Mild Steel Powder Coated

### Fixing Method

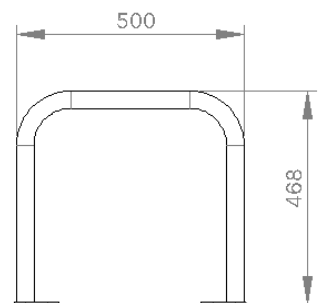
Bolt Down

Extended Leg (Into Footing)

Sub Surface Bolt Down



FRONT



RIGHT