



Specifications

Batten Material

Hardwood Spotted Gum

Enviroslat Composite Woodgrain

Frame Finish

Mild Steel Galvanised

Mild Steel Powdercoated

304 Stainless Steel Satin Polished (316 available on request)

Fixing Type

Bolt Down Fixing

Extended Leg (Into Footing)

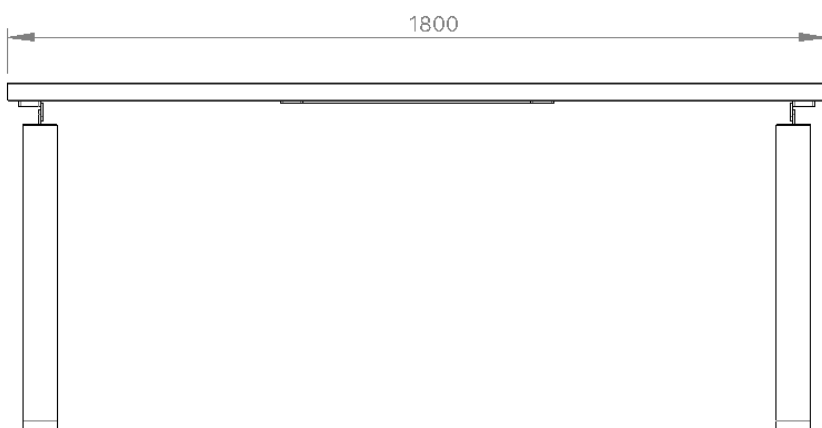
Sub Surface Bolt Down (Specify Depth)

Wheelchair Access

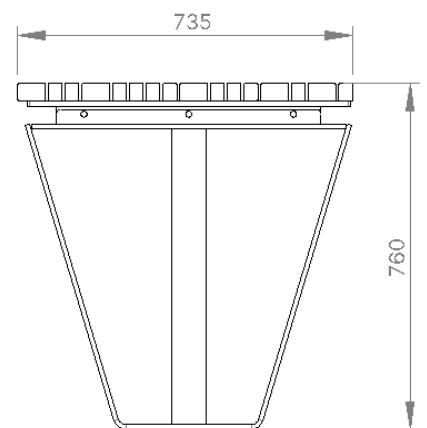
One Leg inset 620mm

No End Access

Both Legs inset 450mm



FRONT



RIGHT