



Specifications

Batten Material

Hardwood Spotted Gum

Enviroslat Composite Woodgrain

Frame Finish

Mild Steel Galvanised

Mild Steel Powdercoated

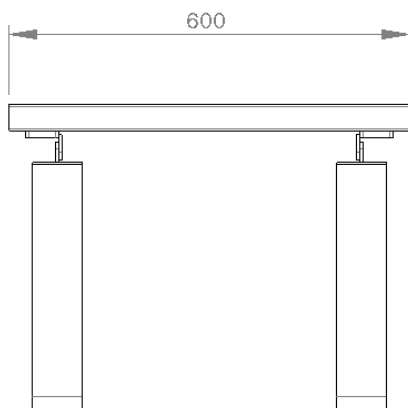
Stainless Steel Satin Polished

Fixing Method

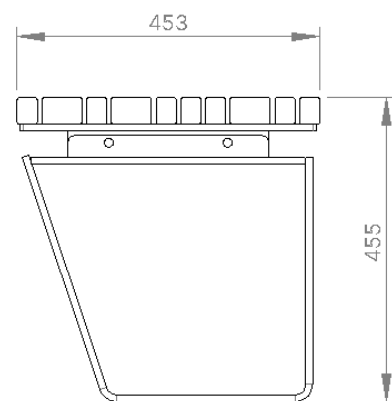
Bolt Down Fixing

Extended Leg (Into footing)

Sub Surface Bolt Down



FRONT



RIGHT