

Specifications

Batten Material

Hardwood Spotted Gum

Enviroslat Composite Woodgrain

Frame Finish

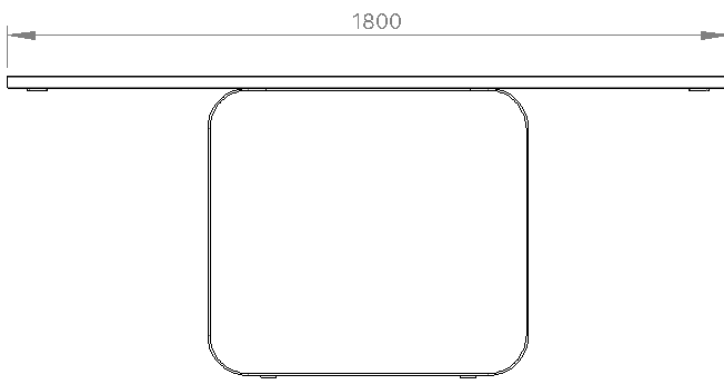
Mild Steel Galvanised

Mild Steel Powdercoated

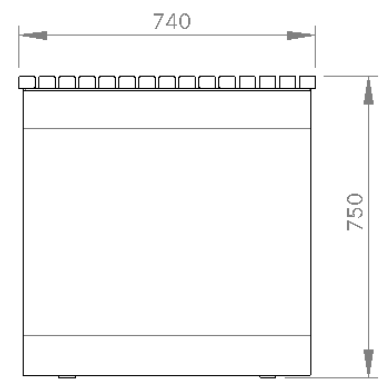
Fixing Type

Bolt Down Fixing

Extended Leg (Into Footing)



FRONT



RIGHT