



Specifications

Fixing Method

Bolt Down Fixing

Extended Leg (Into footing)

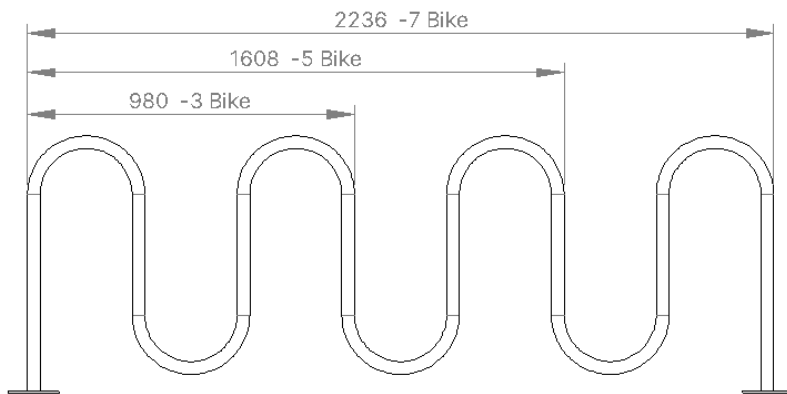
Sub Surface Bolt Down

Size

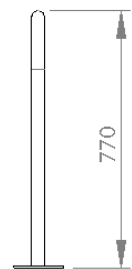
980mm (3 Bike Capacity)

1608mm (5 Bike Capacity)

2236mm (7 Bike Capacity)



FRONT



RIGHT