



Specifications

Batten Material

Hardwood Spotted Gum

Enviroslat Composite Woodgrain

Aluminium Aussie Gum

Fixing Method

Bolt Down Fixing

Extended Leg (Into footing)

Sub Surface Bolt Down

Frame Finish

Mild Steel Powdercoated

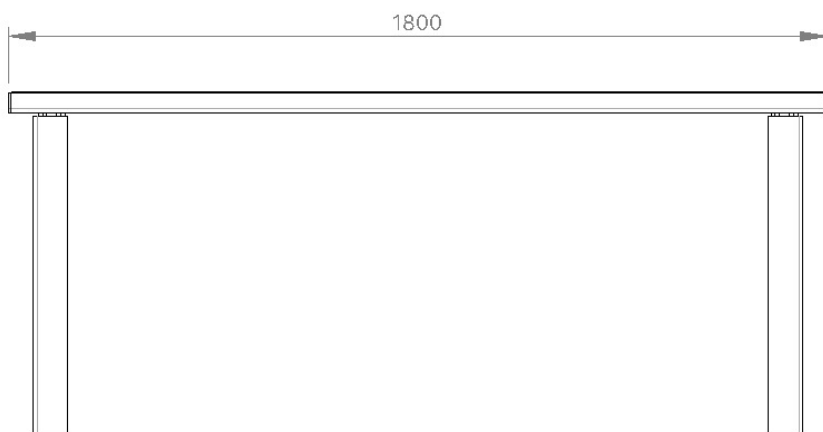
Mild Steel Galvanised

Stainless Steel Satin Polished

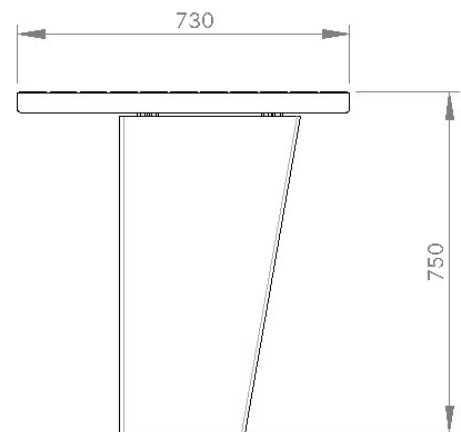
Wheelchair Access

Yes (End Leg Inset)

No (Legs at Ends)



FRONT



RIGHT