



## Specifications

### Batten Material

Hardwood Spotted Gum

Enviroslat Composite Woodgrain

### Frame Finish

Mild Steel Galvanised

Mild Steel Powdercoated

Stainless Steel Satin Polished

### Fixing Type

Bolt Down Fixing

Extended Leg (Into Footing)

Sub Surface Bolt Down (Specify Depth)

### Umbrella Plate

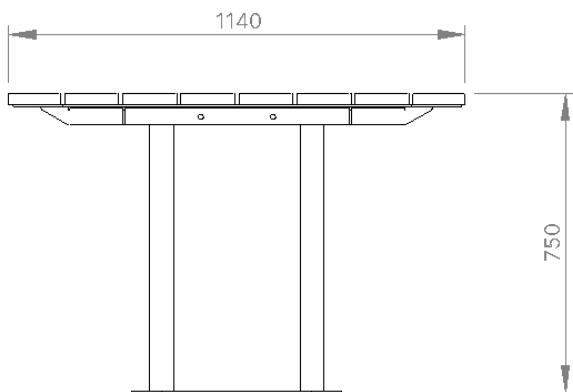
With Umbrella Plate (47mm)

Without Umbrella Plate

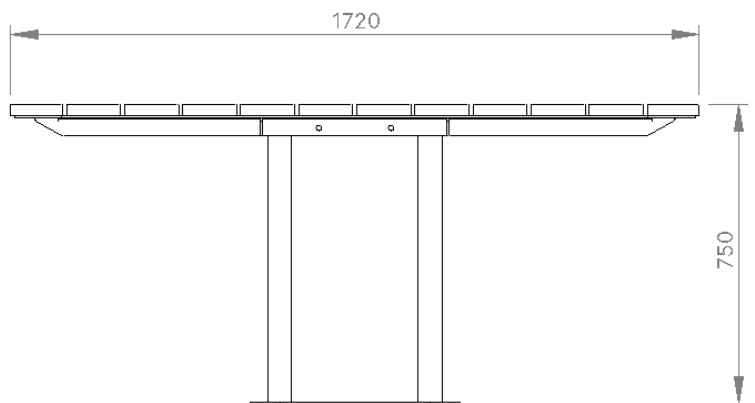
### Size

1140mm (Recommend 6-7 Stools)

1720mm (Recommend 8-10 Stools)



FRONT



FRONT