



## Specifications

### Batten Material

Hardwood Spotted Gum

Enviroslat Composite Woodgrain

### Frame Finish

Mild Steel Galvanised

Mild Steel Powdercoated

Stainless Steel Satin Polished

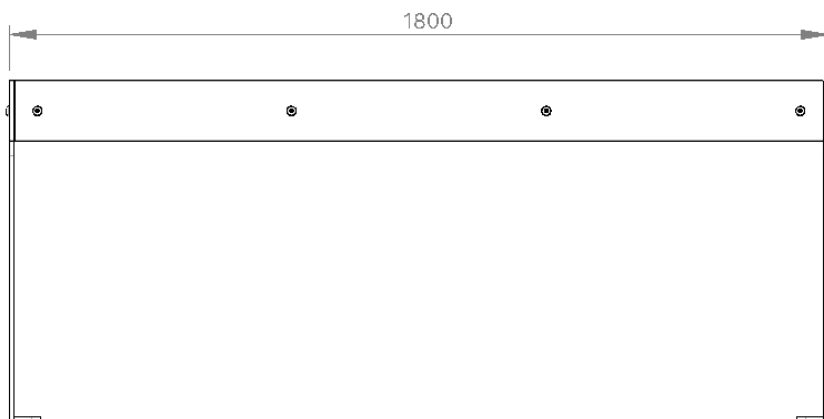
Both Legs inset 450mm

### Fixing Type

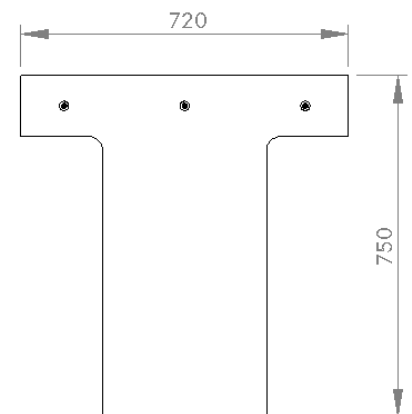
Bolt Down Fixing

Extended Leg (Into Footing)

Sub Surface Bolt Down (Specify Depth)



FRONT



RIGHT