



## Specifications

### Frame Finish

Mild Steel Galvanised

Mild Steel Galvanised and Powder coated

### Fixing Method

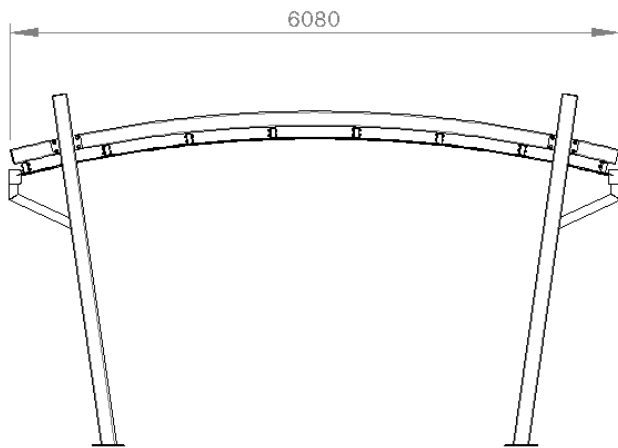
Bolt Down to Slab

Sub Surface Bolt Down

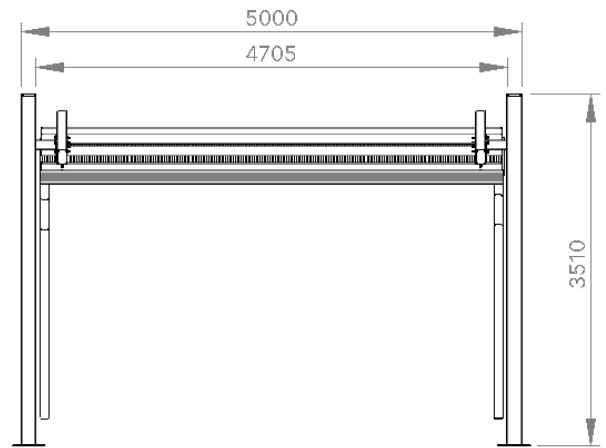
### Gutter and Downpipe

Yes

Not Required



FRONT



RIGHT