



Specifications

Batten Material

Hardwood Spotted Gum

Aluminium Aussie Gum

Enviroslat Composite Woodgrain

Frame Finish

Mild Steel Galvanised

Mild Steel Powdercoated

304 Stainless Steel Satin Polished (316 available on request)

Fixing Method

Bolt Down Fixing

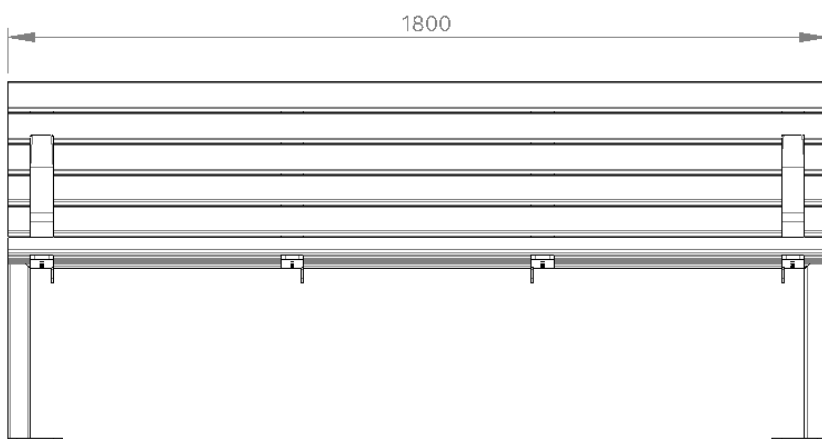
Extended Leg (Into footing)

Sub Surface Bolt Down

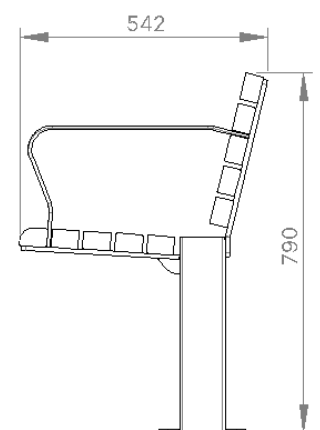
Armrests

Yes (With Armrests)

No (without Armrests)



FRONT



RIGHT