



Specifications

Batten Material

Hardwood Spotted Gum

Enviroslat Composite Woodgrain

Frame Finish

Mild Steel Galvanised

Mild Steel Powdercoated

Stainless Steel Satin Polished

Fixing Method

Bolt Down Fixing

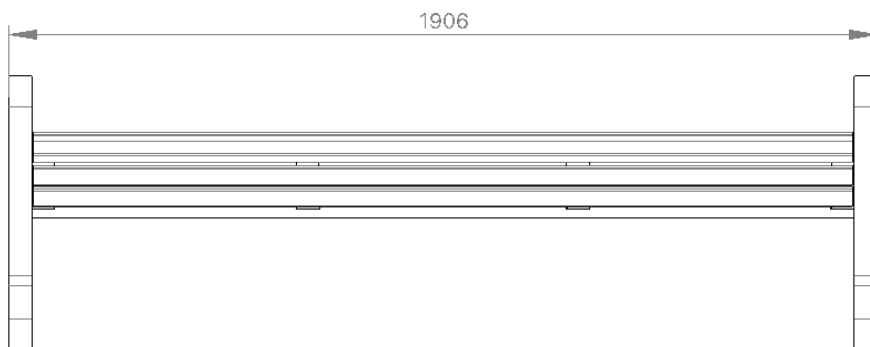
Extended Leg (Into footing)

Sub Surface Bolt Down

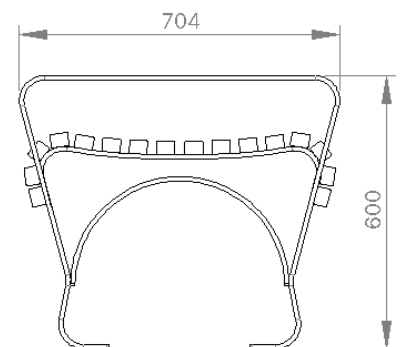
Armrests

Yes (with Armrests)

No (without Armrests)



FRONT



RIGHT