



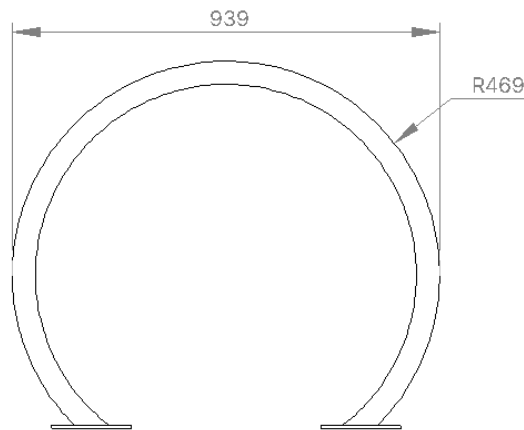
## Specifications

### Fixing Method

Bolt Down Fixing

Extended Leg (Into footing)

Sub Surface Bolt Down



FRONT



RIGHT