



Specifications

Frame Finish

Mild Steel Galvanised

304 Stainless Steel Satin Polished (316 Available on request)

Mild Steel Powder Coated

Fixing Method

Bolt Down Fixing

Extended Leg (into Footing)

Sub Surface Bolt Down

Batten Material

Hardwood Spotted Gum

Enviroslat Composite Woodgrain

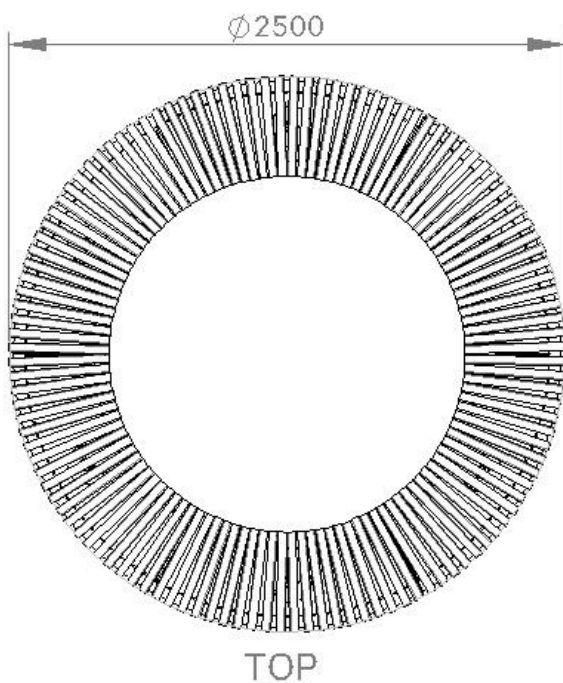
Size

2500mm OD (minimum)

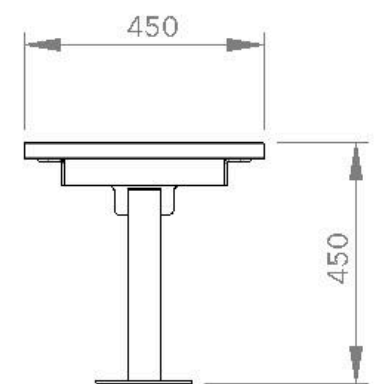
3000mm OD

4000mm OD

Custom



TOP



RIGHT
NOT TO SCALE

