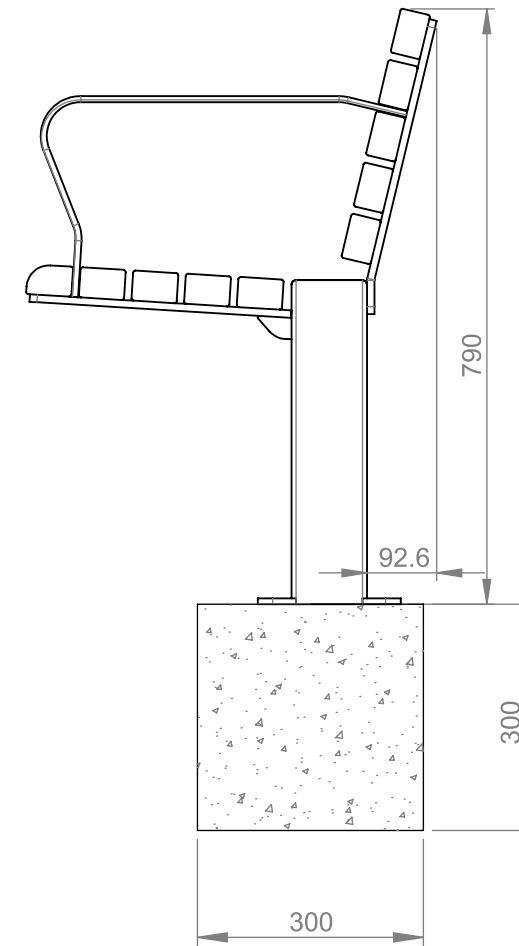
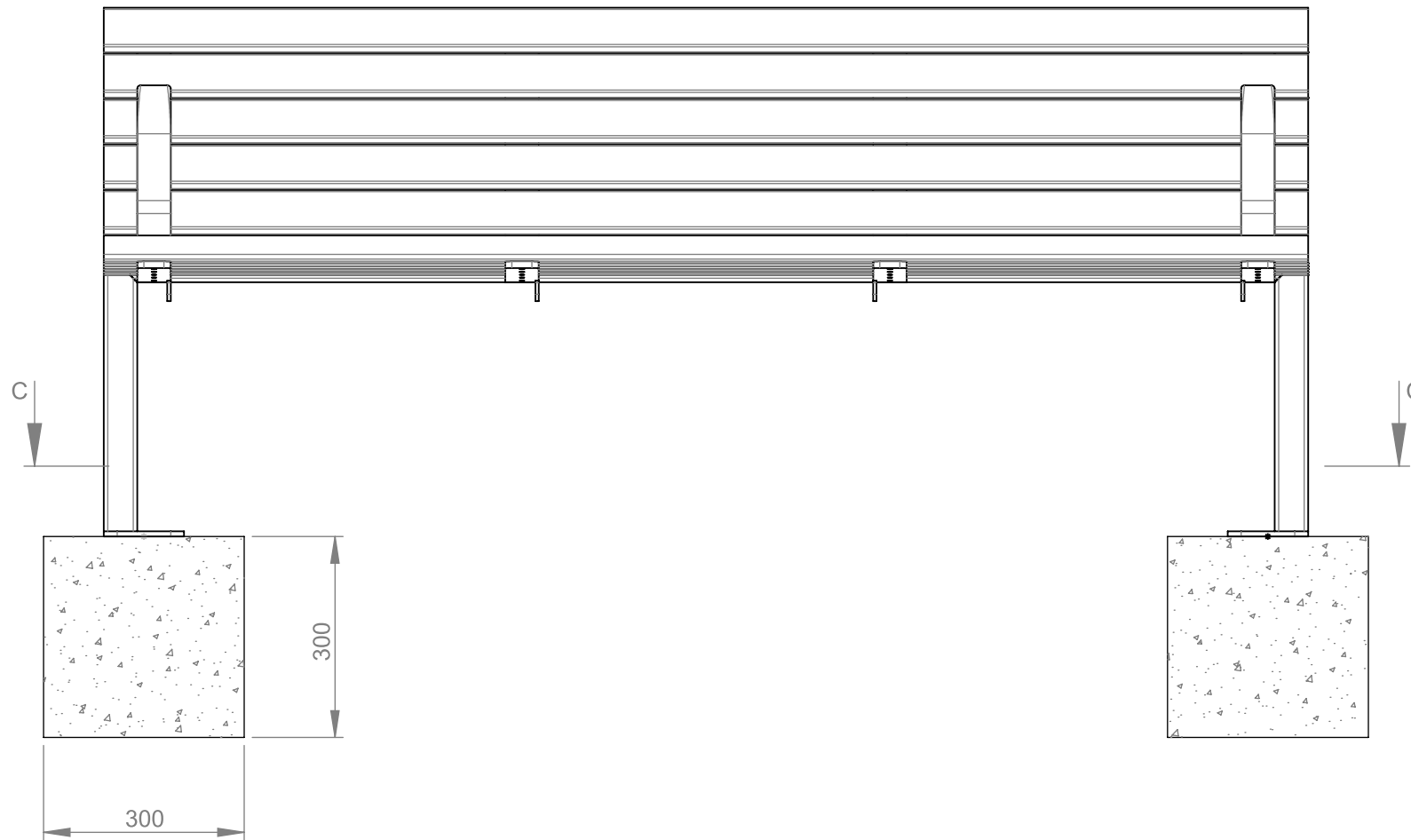
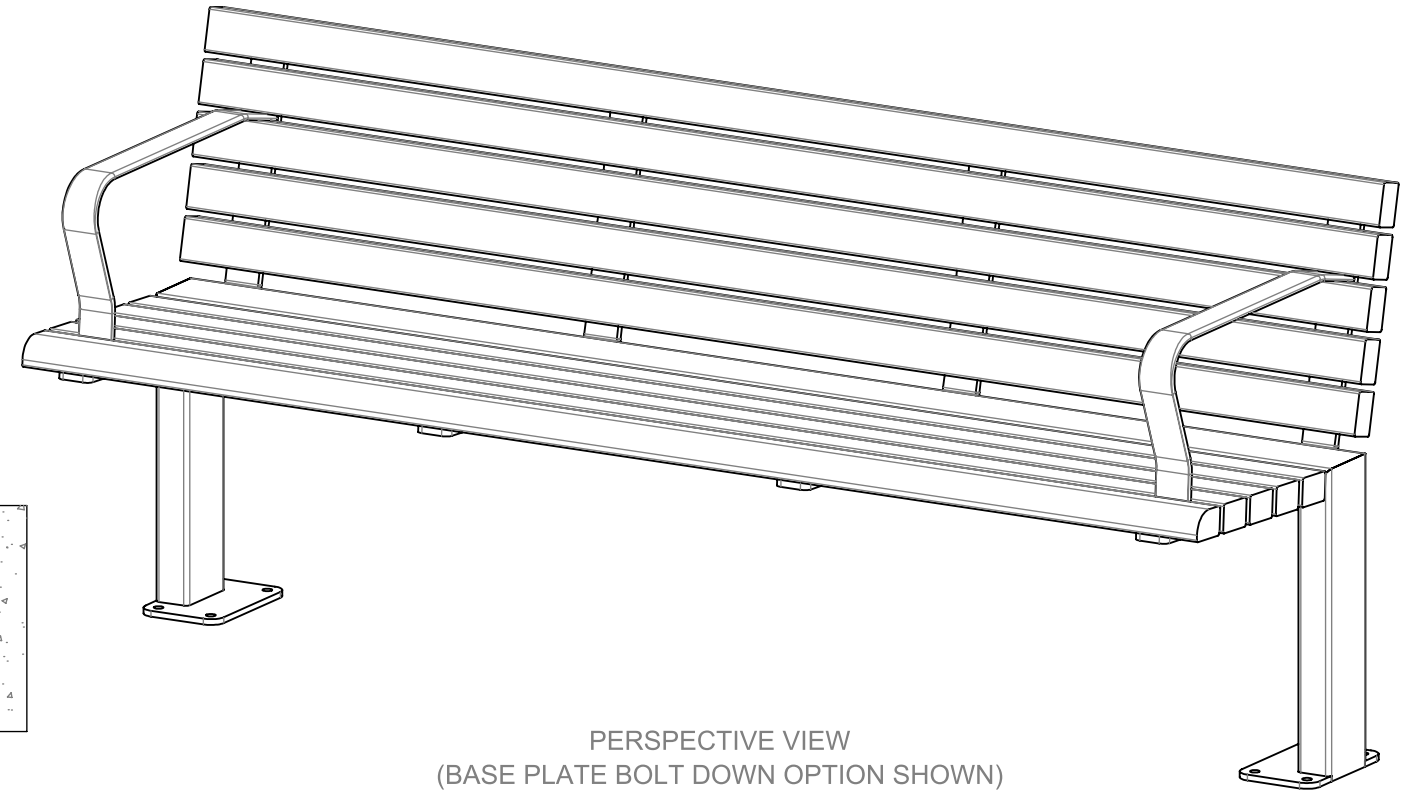


NOTE: SEAT MEETS ALL DDA REQUIREMENTS AS DESCRIBED IN AUSTRALIAN STANDARD AS1428.2  
SEE AS 1428 FOR INSTALLATION OFFSETS OF WALKWAYS

INSTALLATION DETAILS (RECOMMENDATIONS ONLY)  
CONCRETE FOOTINGS, 25 MPA:  
- TWO 300X300X300MM MINIMUM FOOTING SIZE  
BOLT DOWN: USE 6X M12X75MM DYNABOLTS OR SIMILAR  
EXTENDED LEG: SET PRODUCT(S) INTO FOOTINGS  
OR  
CONCRETE SLAB, 25 MPA:  
- ONE 1950X600X100MM (MINIMUM) THICK SLAB



Commercial Systems Australia Pty. Ltd.

42 Orchard Street, Kilsyth South, VIC  
phone: (03) 9723 4111  
fax: (03) 9723 3494  
email: design@commercialsystems.com.au

Model Code: TM4720  
Model Description: DDA Seat

**Drawing: CS6052**  
Sheet Number: 9  
Sheet Description: Install Drawing

Drawn By: GS  
Date Drawn: 15/08/2019  
Revision Number: 2 GS19.01.2024  
Revision Details: Base plates changed  
SCALE 1:10

ALL DIMENSIONS IN MILLIMETERS  
UNLESS OTHERWISE STATED  
ALL PARTS CENTRED UNLESS SPECIFIED

TOLERANCES  
X +/- 1mm  
X.X +/- 0.5mm  
X.XX +/- 0.05mm