

INSTALLATION DETAILS (RECOMMENDATIONS ONLY)

CONCRETE FOOTING, 25MPA:

2 QTY AT 400 X 400 X 500mm MINIMUM FOOTING SIZE

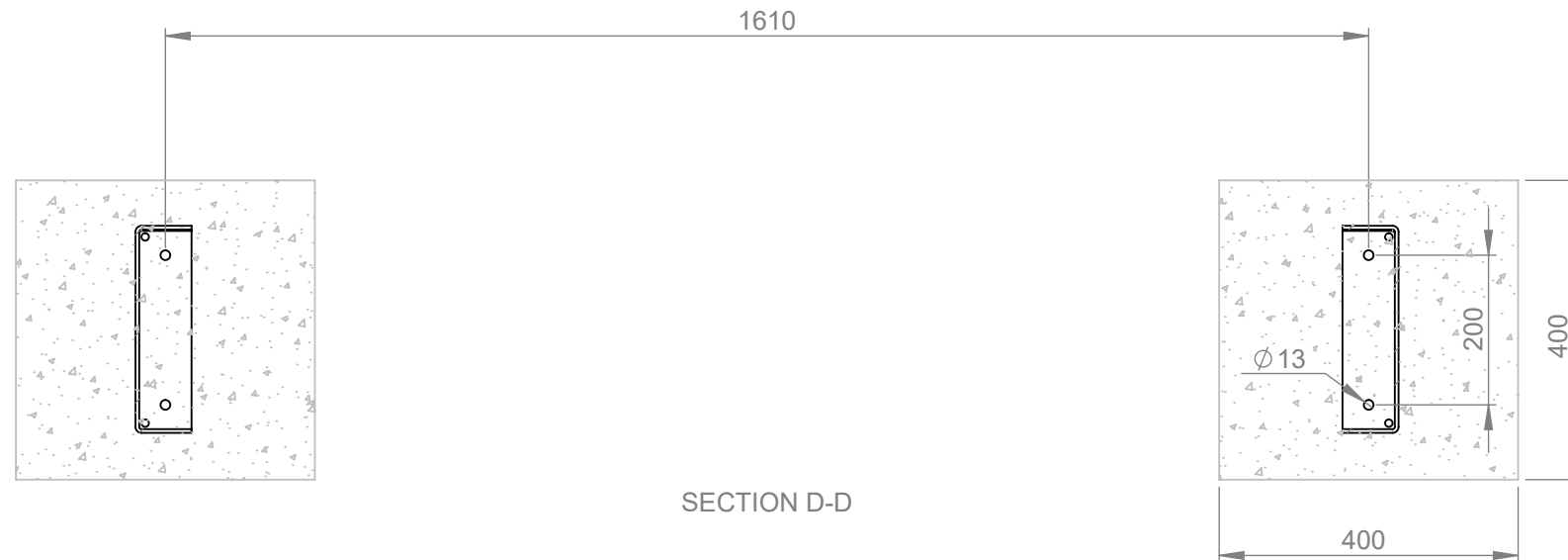
- BOLT DOWN TO FOOTINGS WITH 4X M12X75MM DYNABOLTS OR SIMILAR

- FOR EXTENDED LEG SET LEG INTO FOOTINGS

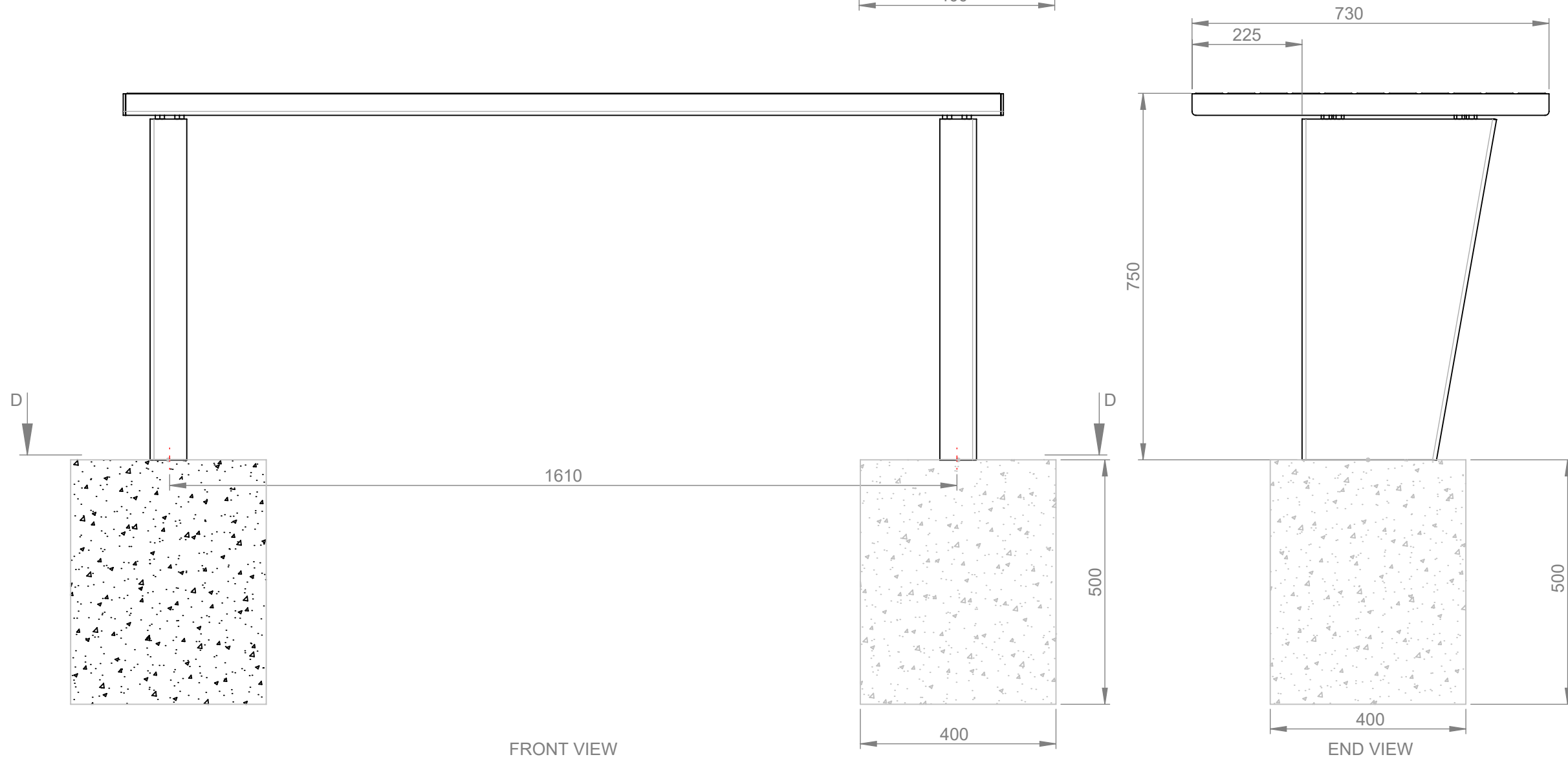
OR

CONCRETE SLAB 150mm

- BOLT DOWN TO FOOTINGS WITH 4X M12X75MM DYNABOLTS OR SIMILAR



SECTION D-D



FRONT VIEW

END VIEW



Commercial Systems Australia Pty. Ltd.

42 Orchard Street, Kilsyth South, VIC
phone: (03) 9723 4111
fax: (03) 9723 3494
email: design@commercialsystems.com.au

Model Code: TM4702
Model Description: Lisboa Table

Drawing: CS5837

Sheet Number: 6
Sheet Description: Install

Drawn By: GS
Date Drawn: 16/05/2019
Revision Number: 2 MS 16.5.22

SCALE 1:10

ALL DIMENSIONS IN MILLIMETERS
UNLESS OTHERWISE STATED
ALL PARTS CENTRED UNLESS SPECIFIED

TOLERANCES

X	+/- 1mm
X.X	+/- 0.5mm
X.XX	+/- 0.05mm

INSTALLATION DETAILS (RECOMMENDATIONS ONLY)

CONCRETE FOOTING, 25MPA:

2 QTY AT 400 X 400 X 500mm MINIMUM FOOTING SIZE

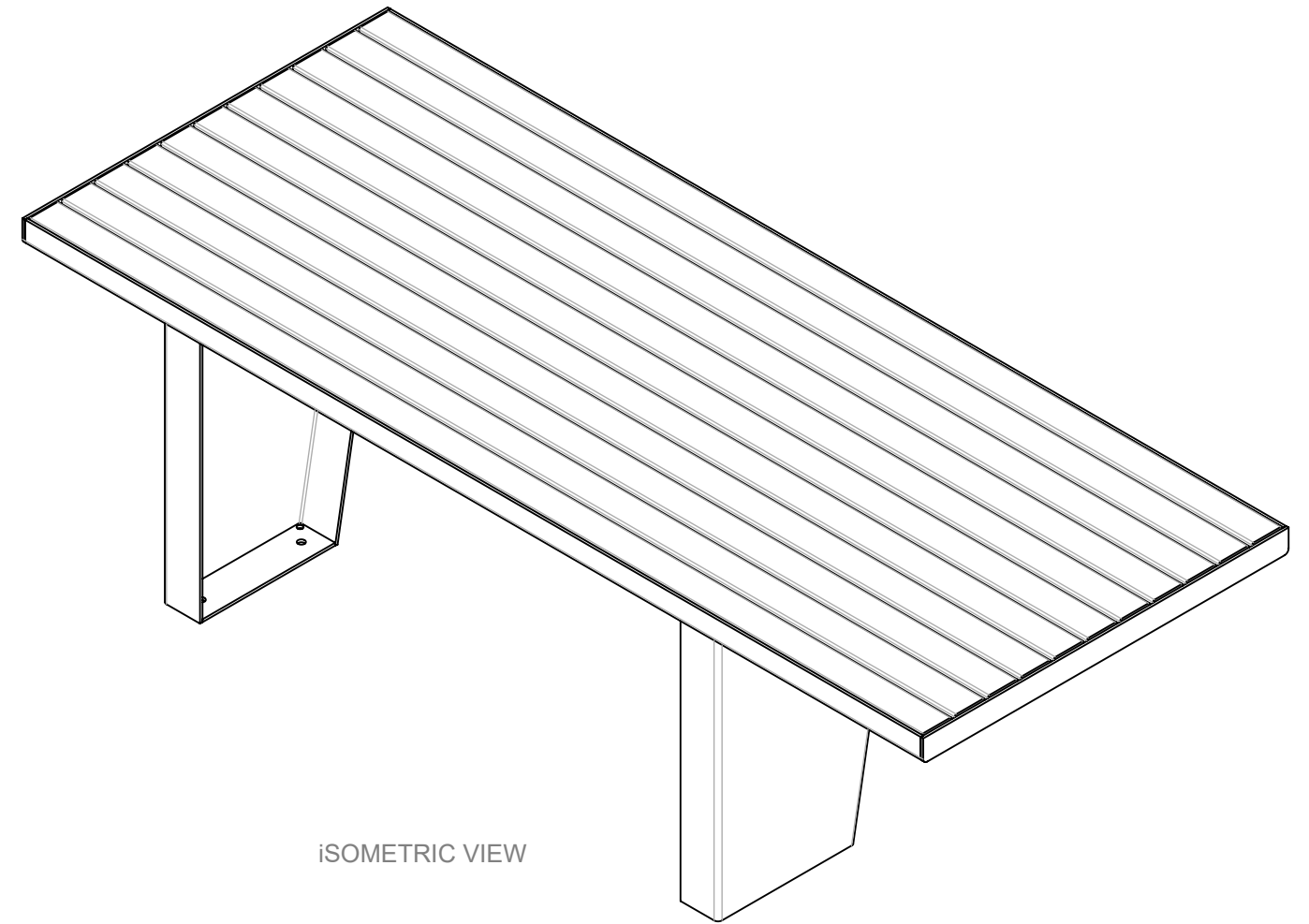
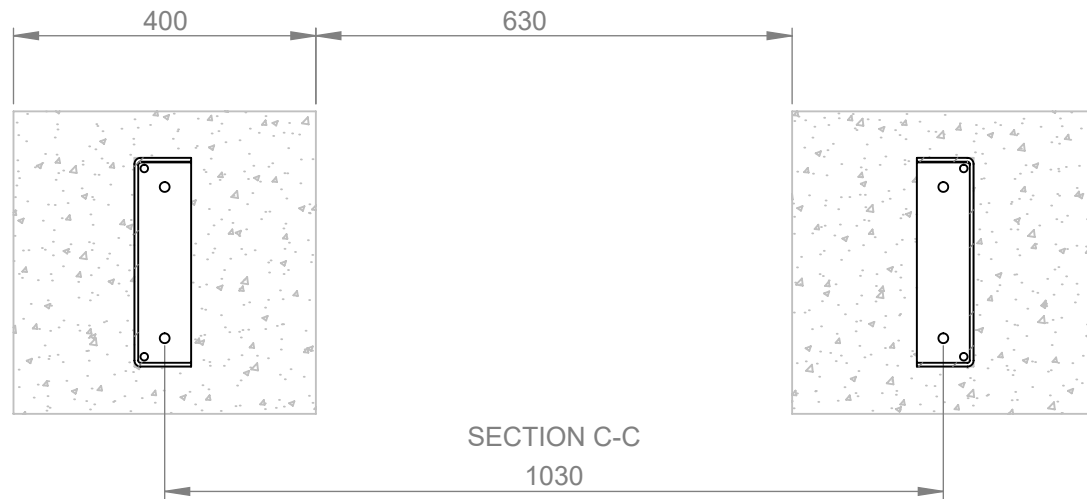
- BOLT DOWN TO FOOTINGS WITH 4X M12X75MM DYNABOLTS OR SIMILAR

- FOR EXTENDED LEG SET LEG INTO FOOTINGS

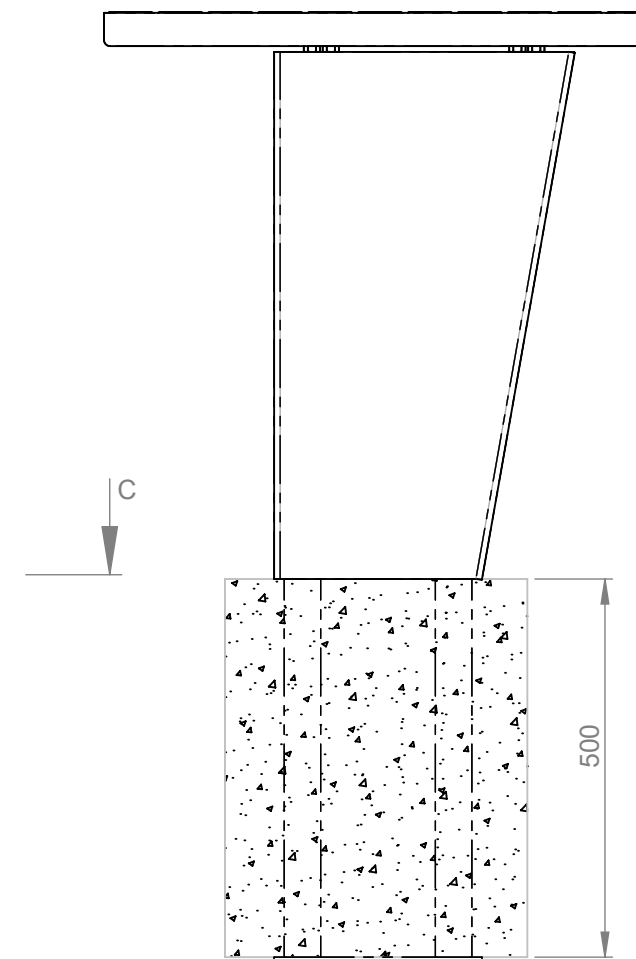
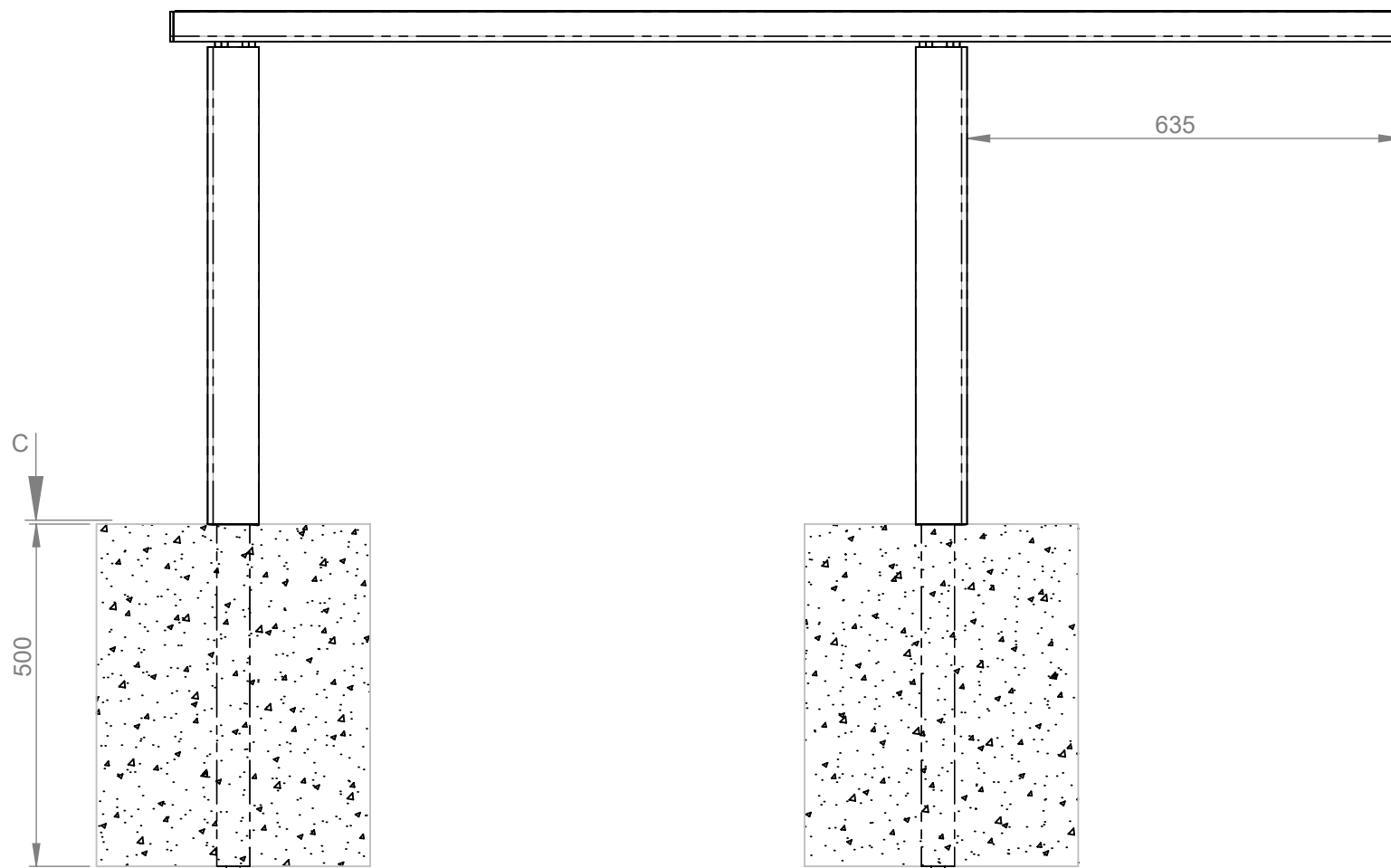
OR

CONCRETE SLAB 150mm

- BOLT DOWN TO FOOTINGS WITH 4X M12X75MM DYNABOLTS OR SIMILAR



ISOMETRIC VIEW



Commercial Systems Australia Pty. Ltd.

42 Orchard Street, Kilsyth South, VIC
phone: (03) 9723 4111
fax: (03) 9723 3494
email: design@commercialsystems.com.au

Model Code: TM4702-WA

Model Description:

Lisboa Table. Wheelchair Access

Drawing: CS8150

Sheet Number: 6

Sheet Description: Install

Drawn By: M.Shevchuk

Date Drawn: 16/05/2022

Revision Number: 0

Revision Details:

SCALE 1:10

ALL DIMENSIONS IN MILLIMETERS
UNLESS OTHERWISE STATED
ALL PARTS CENTRED UNLESS SPECIFIED

TOLERANCES

X +/- 1mm

X.X +/- 0.5mm

X.XX +/- 0.05mm