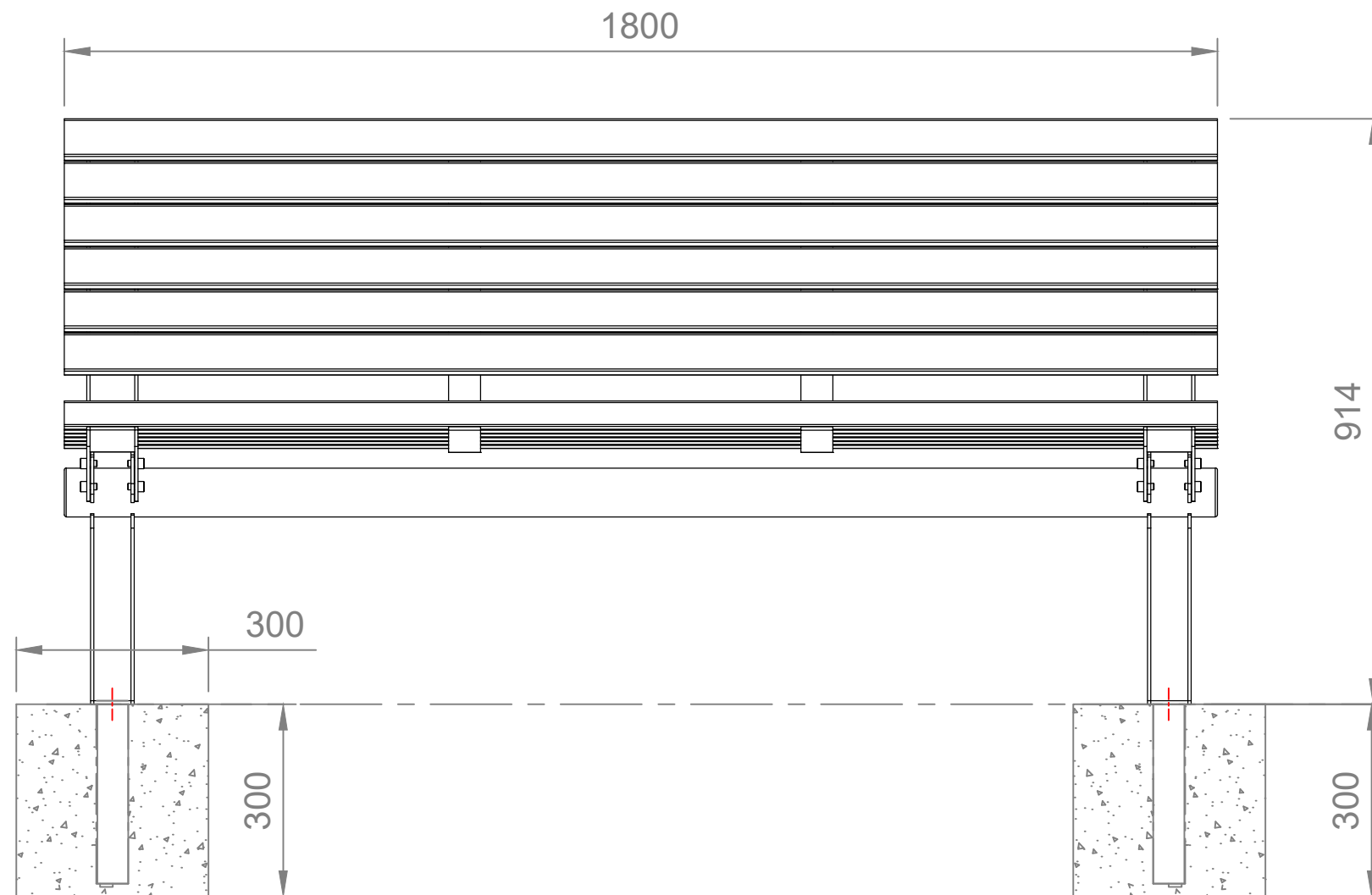


Top View



Front View

**INSTALLATION DETAILS (Recommendations only)**

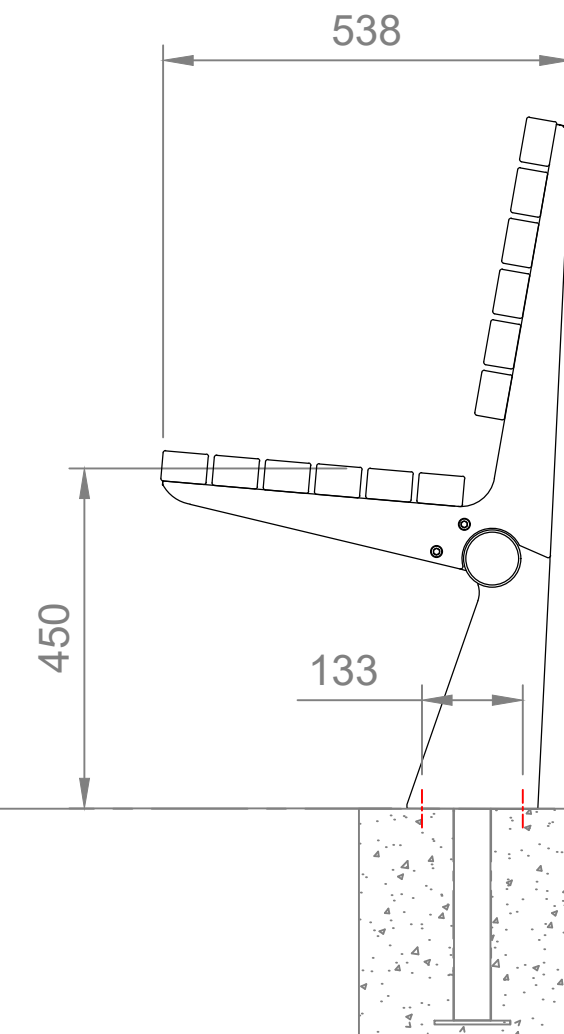
*Concrete footings, 25mPa:*

- Two 300x300x300mm minimum footing size
- Bolt down to footings with 4x M12x75mm Dynabolts or similar
- For extended leg option, set furniture into footings

or

*Concrete slab, 25mPa:*

- One 1900x640x100mm (minimum) thick slab recommended



Right View



Commercial Systems Australia Pty. Ltd.  
 42 Orchard St, Kilsyth South, VIC  
 phone: (03) 9723 4111  
 fax: (03) 9723 3494  
 email: design@commercialsystems.com.au

Model Code: TM4610  
 Model Description: Vivid Seat

**Drawing: CS2359**

Sheet Number: -  
 Sheet Description: Installation

Drawn By: K.Sohanpal  
 Date Drawn: 15.09.2015  
 Revision Number: 2

Ground level

SCALE 1:1

ALL DIMENSIONS IN MILLIMETERS  
 UNLESS OTHERWISE STATED  
 ALL PARTS CENTRED UNLESS SPECIFIED

TOLERANCES

X	+/- 1mm
X.X	+/- 0.5mm
X.XX	+/- 0.05mm