

**INSTALLATION DETAILS (Recommendations only)**

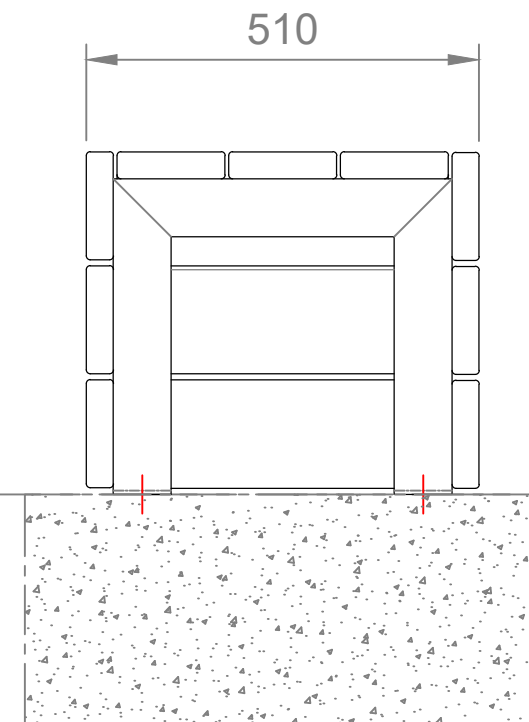
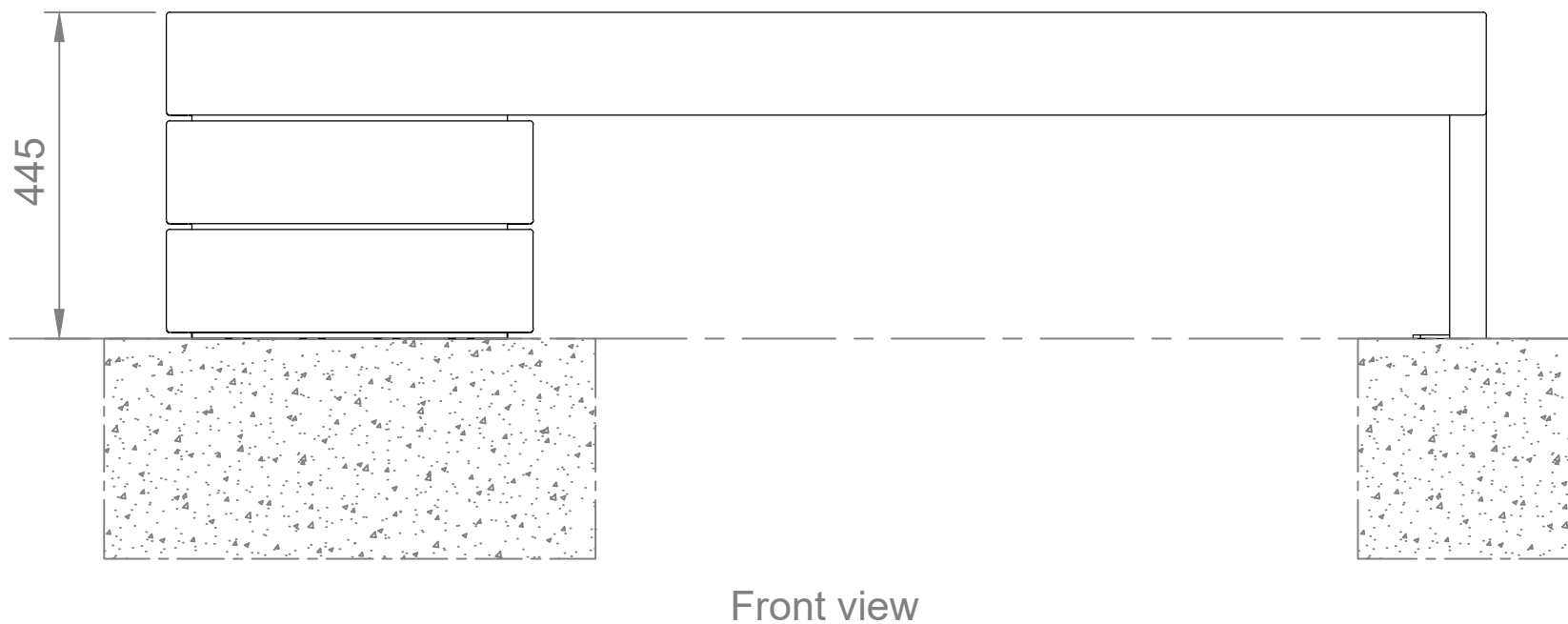
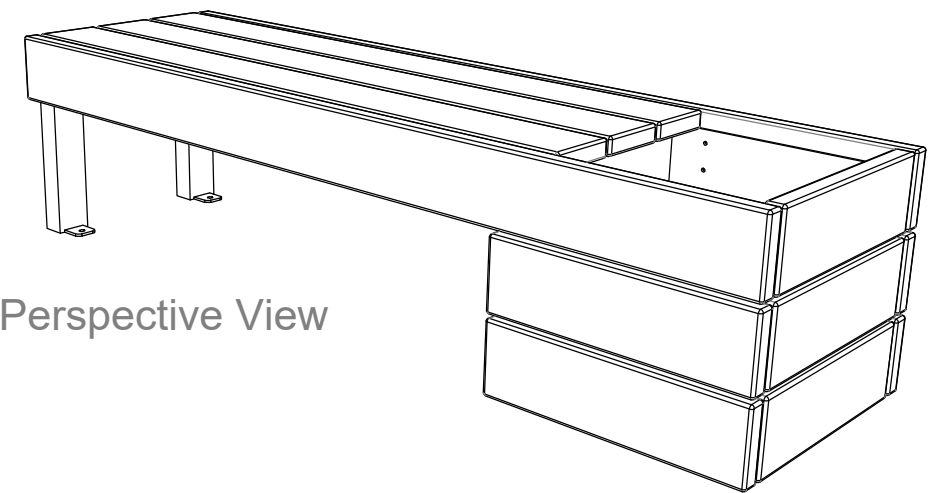
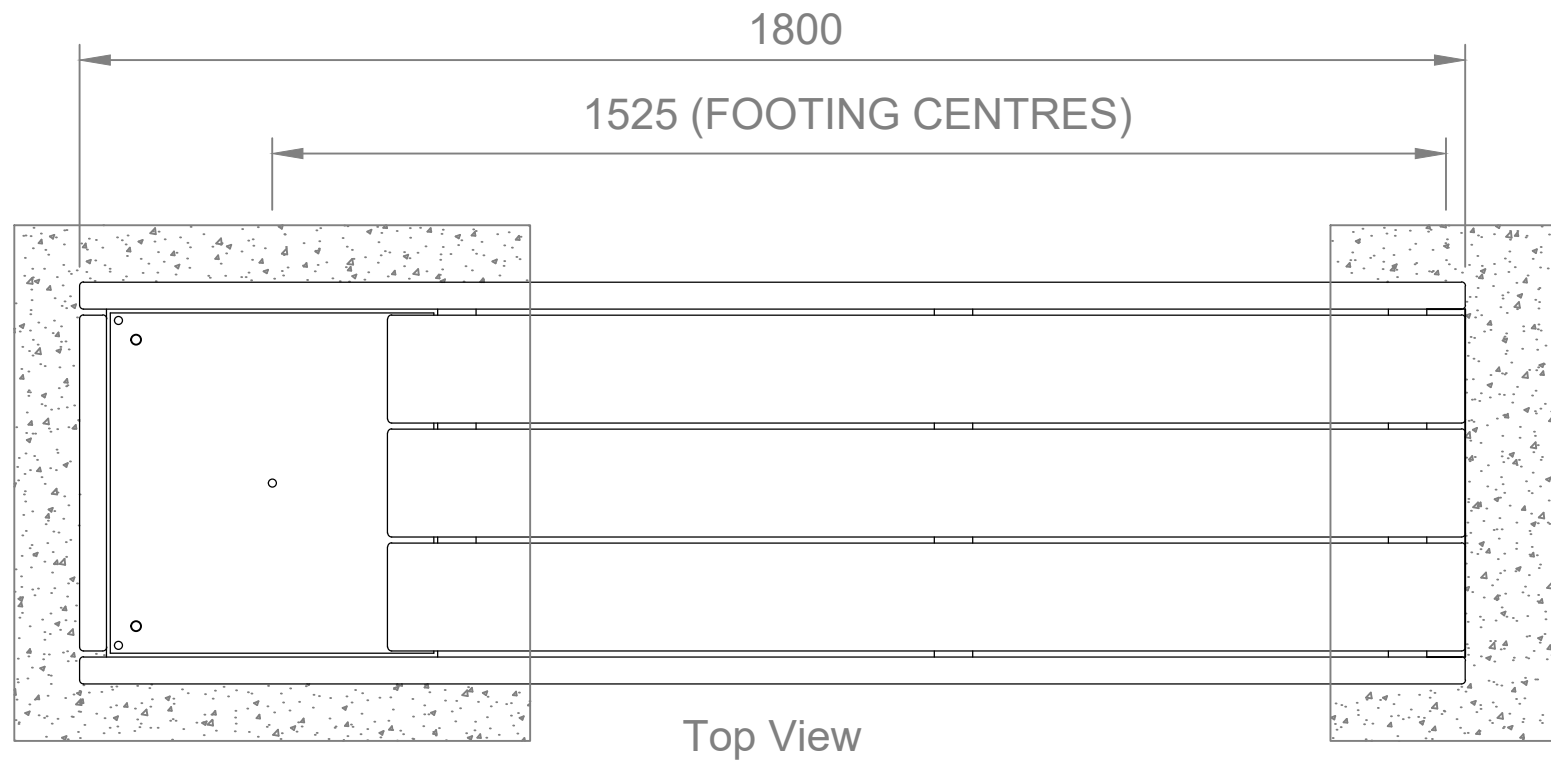
*Concrete footings, 25mPa:*

- One 670x300x300mm and one 670x670x300mm minimum footing size
- Bolt down to footings with 4x M12x75mm Dynabolts or similar
- Note: Bolt down may not be required through planter due to weight after filling with soil

or

*Concrete slab, 25mPa:*

- One 1900x600x100mm (minimum) thick slab recommended



Ground level



Commercial Systems Australia Pty. Ltd.

42 Orchard St, Kilsyth South, VIC

phone: (03) 9725 9344

fax: (03) 9725 9744

email: design@commercialsystems.com.au

Model Code: TM4599

Model Description: Legacy Bench

**Drawing: CS1708**

Sheet Number: -

Sheet Description: Installation

Drawn By: J.Stuckings

Date Drawn: 08.08.2014

Revision Number: 3

SCALE 1:1

ALL DIMENSIONS IN MILLIMETERS

UNLESS OTHERWISE STATED

ALL PARTS CENTRED UNLESS SPECIFIED

TOLERANCES

X +/- 1mm

X.X +/- 0.5mm

X.XX +/- 0.05mm