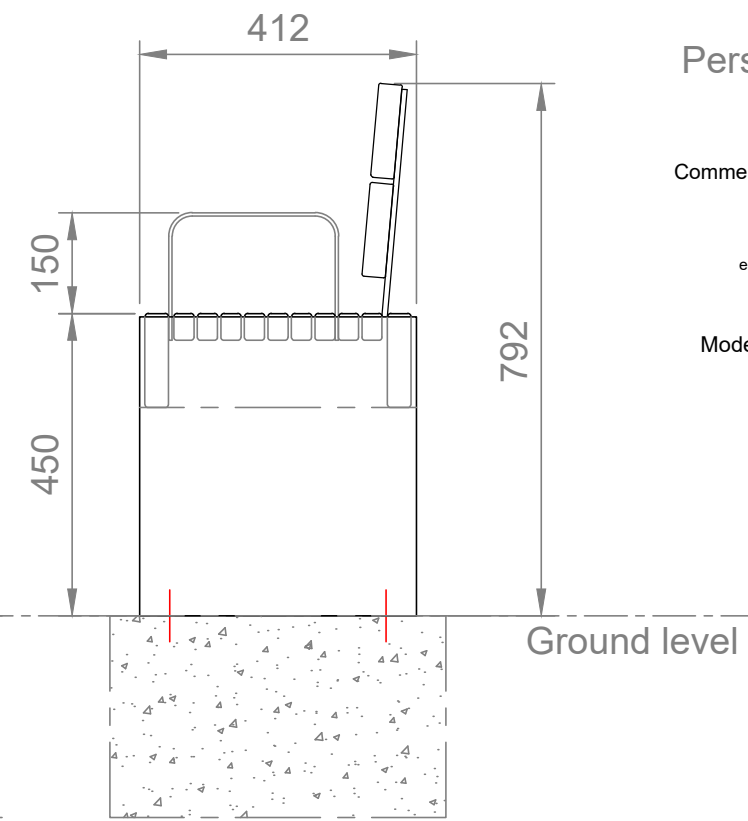
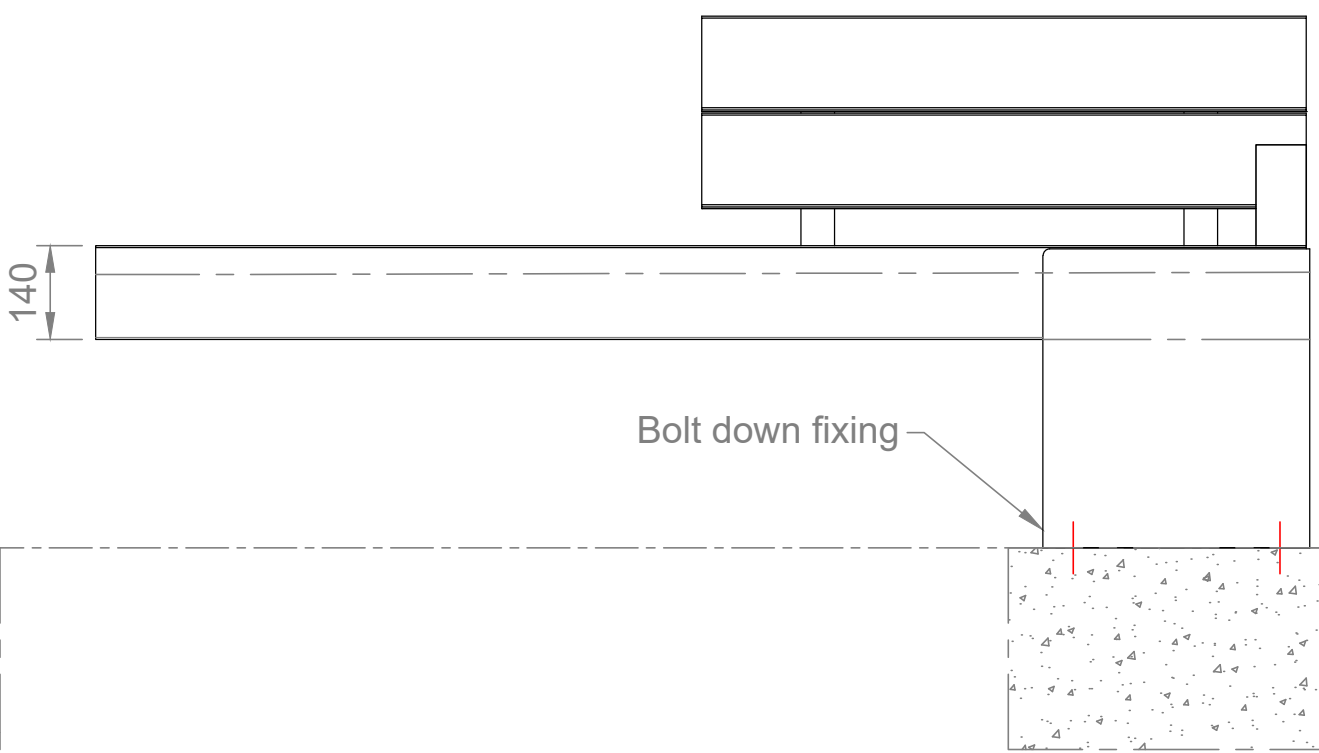
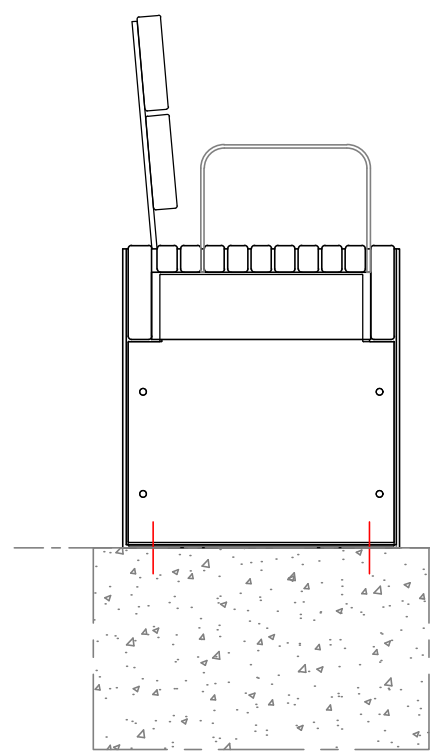
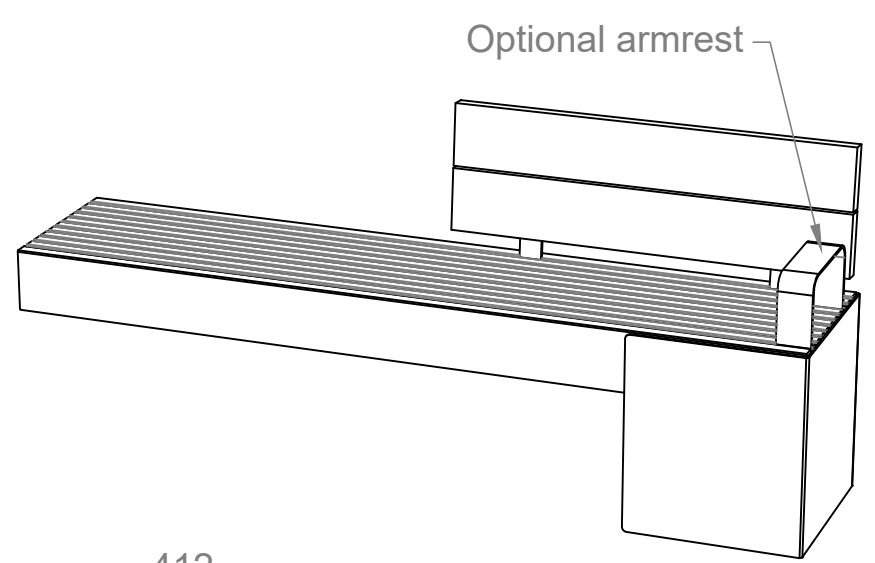
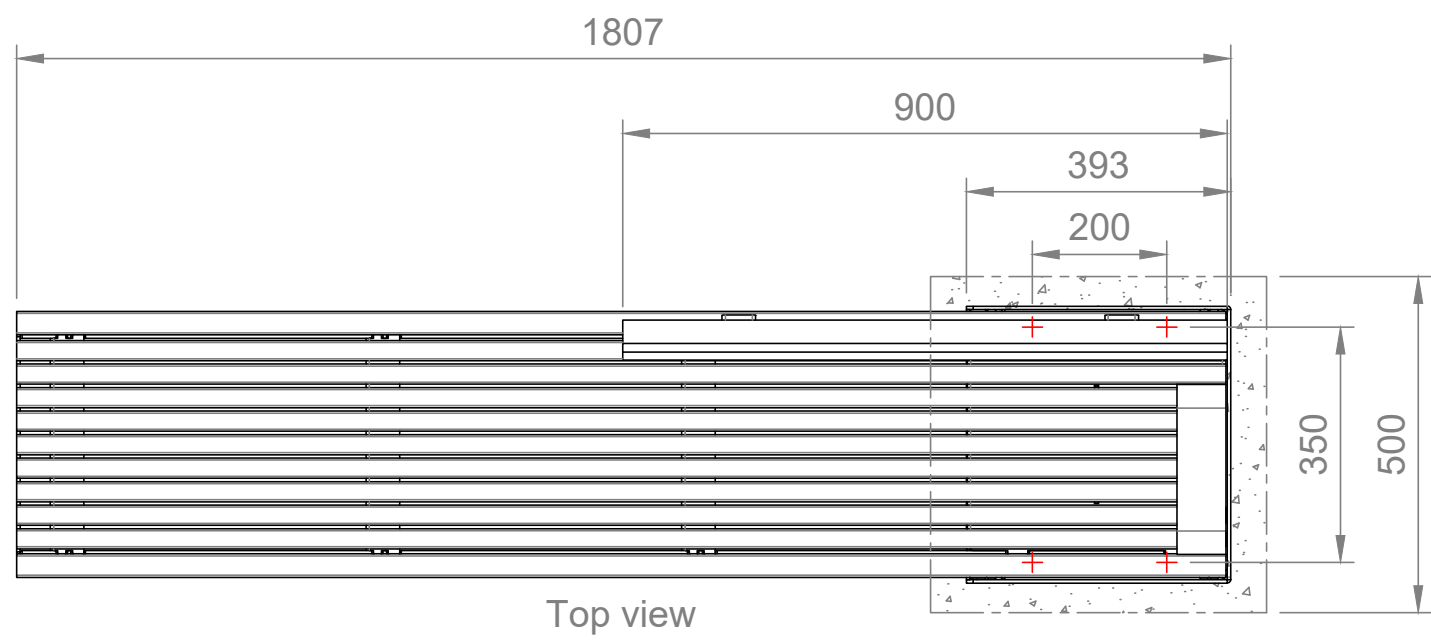


RIGHT BACKREST SHOWN
Flip dimensions for LEFT BACKREST products

INSTALLATION DETAILS (Recommendations only)
Concrete footings, 25mPa:
 - One 500x500x300mm minimum footing size
 - Bolt down to footings with 4x M12x75mm Dynabolts or similar
 or
Concrete slab, 25mPa:
 - One 1900x500x100mm (minimum) thick slab recommended



Commercial Systems Australia Pty. Ltd.
 42 Orchard St, Kilsyth South, VIC
 phone: (03) 9723 4111
 fax: (03) 9723 3494
 email: design@commercialsystems.com.au

Model Code: TM4541
 Model Description: Cantilever Seat

Drawing: CS3260
 Sheet Number: -
 Sheet Description: Installation
RIGHT BACKREST

Drawn By: K.Sohanpal
 Date Drawn: 02.02.2017
 Revision number: 3

SCALE 1:1

ALL DIMENSIONS IN MILLIMETERS
 UNLESS OTHERWISE STATED
 ALL PARTS CENTRED UNLESS SPECIFIED

TOLERANCES

| | |
|------|------------|
| X | +/- 1mm |
| X.X | +/- 0.5mm |
| X.XX | +/- 0.05mm |