

INSTALLATION DETAILS (Recommendations only)

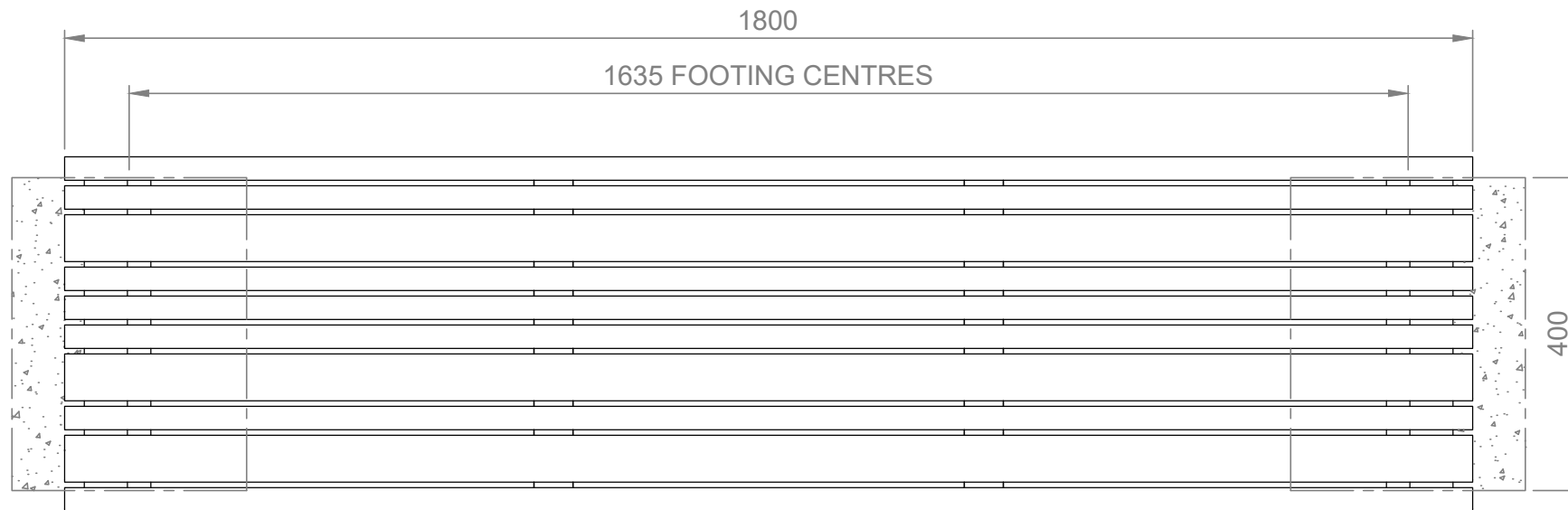
Concrete footings, 25mPa:

- Two 400x300x300mm minimum footing size
- Bolt down to footings with 4x M12x75mm Dynabolts or similar
- For extended leg option, set product(s) into footings

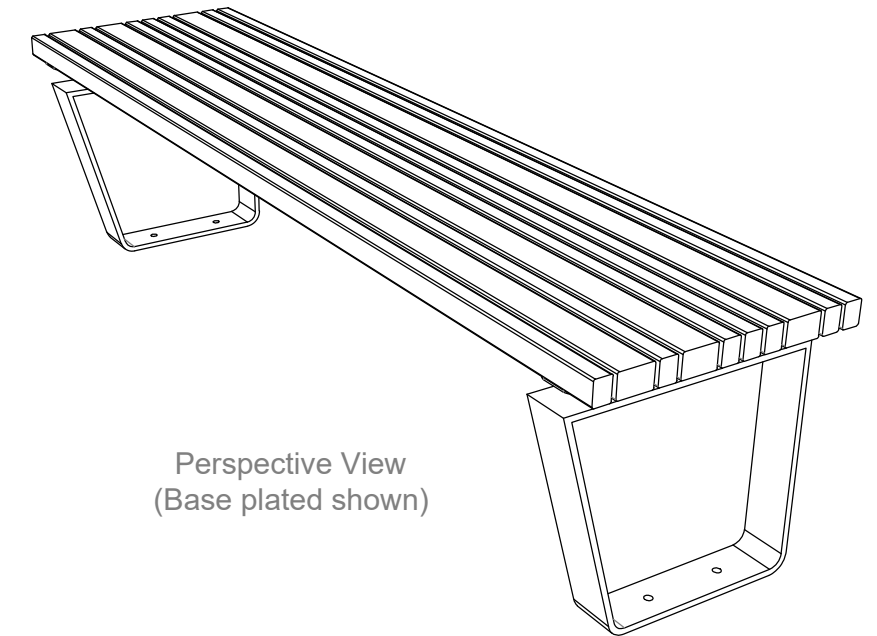
or

Concrete slab, 25mPa:

- One 1900x550x100mm (minimum) thick slab recommended



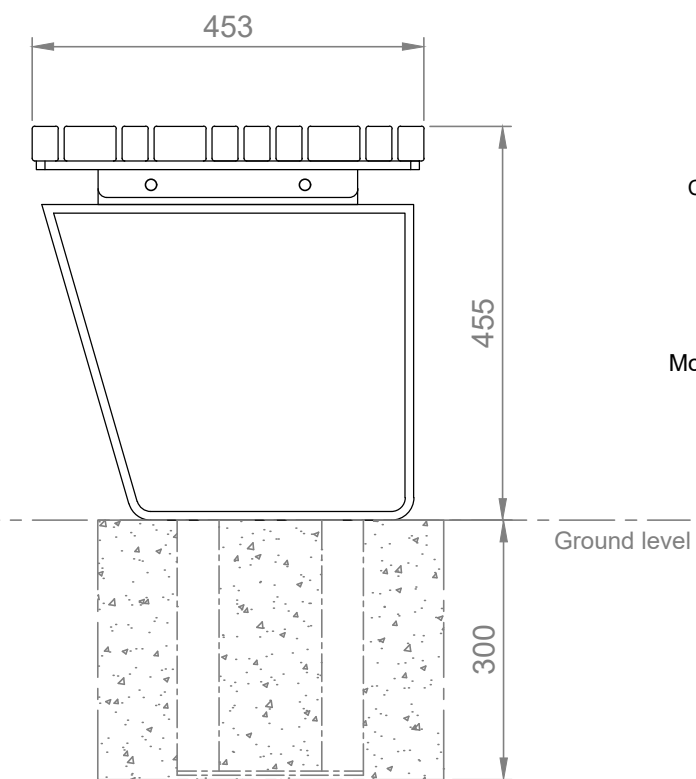
Top View



Perspective View
(Base plated shown)



Front View



End View



Commercial Systems Australia Pty. Ltd.

42 Orchard St, Kilsyth South, VIC

phone: (03) 9723 4111

fax: (03) 9723 3494

email: design@commercialsystems.com.au

Model Code: TM4511

Model Description: Manhattan Bench

Drawing: CS0871

Sheet Number: -

Sheet Description: Installation

Drawn By: G.Smith

Date Drawn: 01.11.2013

Revision Number: 11

SCALE 1:1

ALL DIMENSIONS IN MILLIMETERS
UNLESS OTHERWISE STATED
ALL PARTS CENTRED UNLESS SPECIFIED

TOLERANCES

X	+/- 1mm
X.X	+/- 0.5mm
X.XX	+/- 0.05mm