

Top view

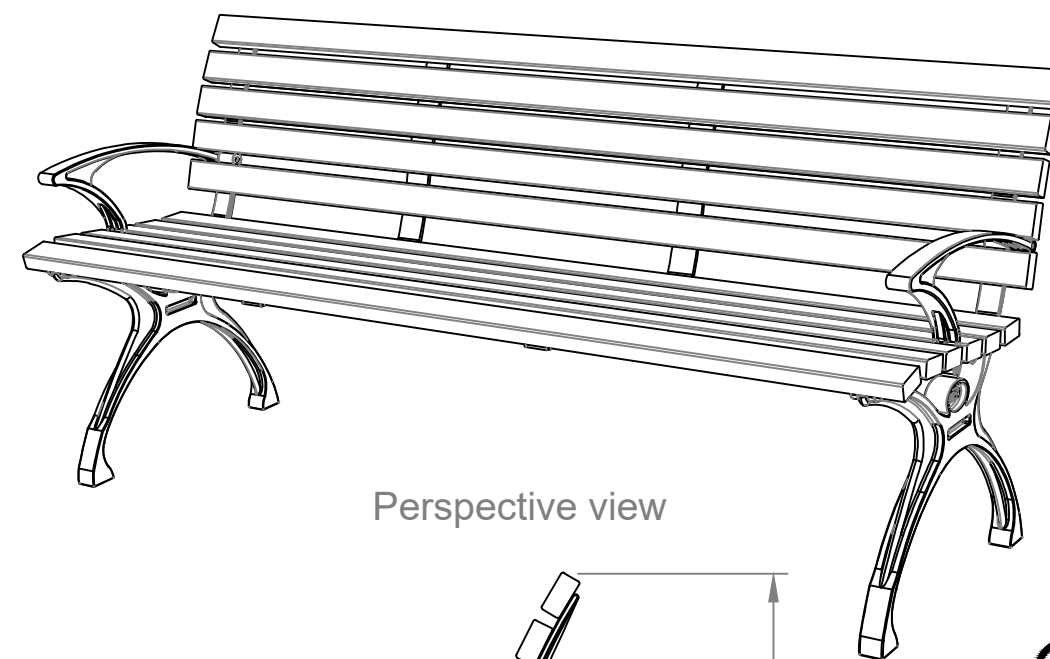
**INSTALLATION DETAILS (Recommendations only)**

**Concrete footings, 25mPa:**

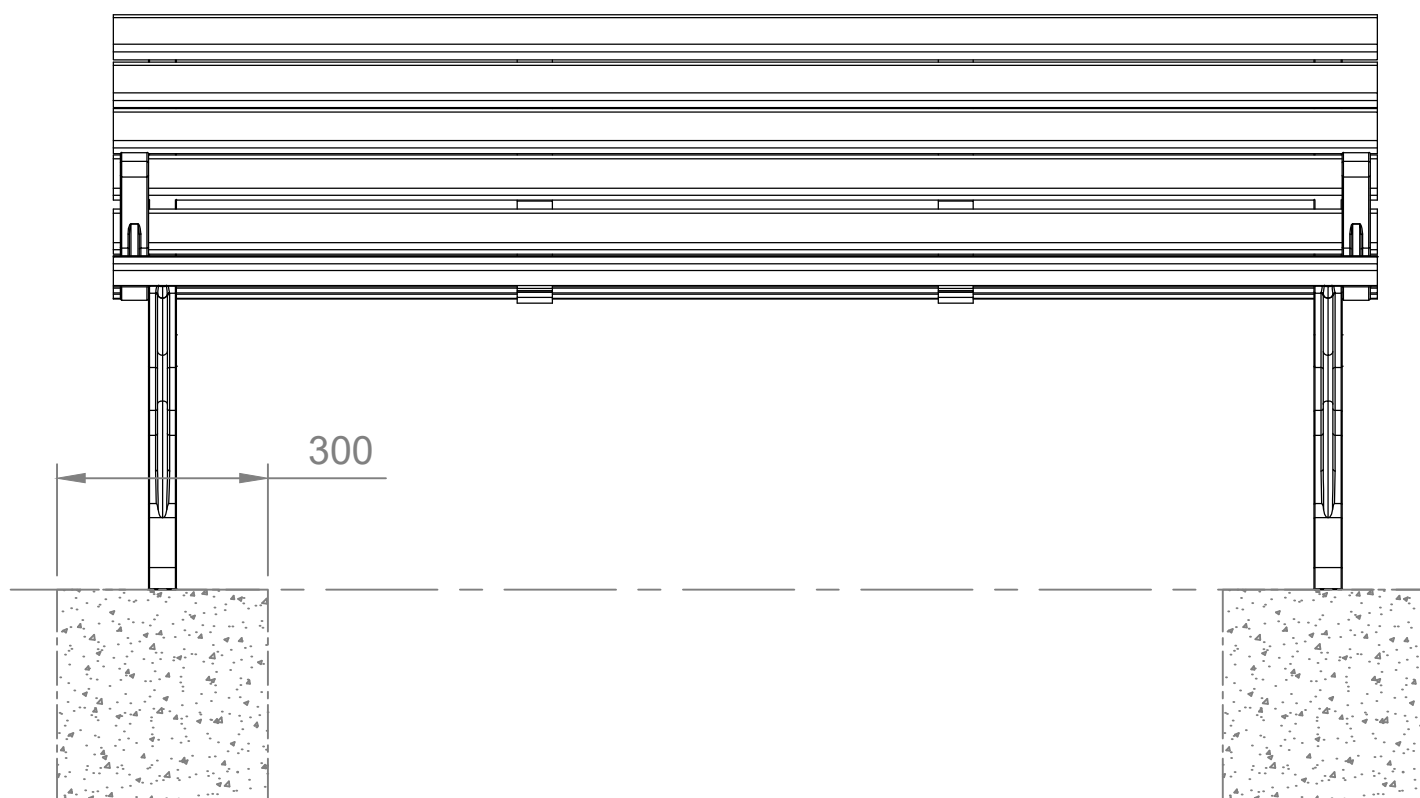
- Four 300x300x300mm minimum footing size
- Bolt down to footings with 4x M12x75mm Dynabolts or similar
- For spigot fixed option, set all thread in seat legs into footings

**or**  
**Concrete slab, 25mPa:**

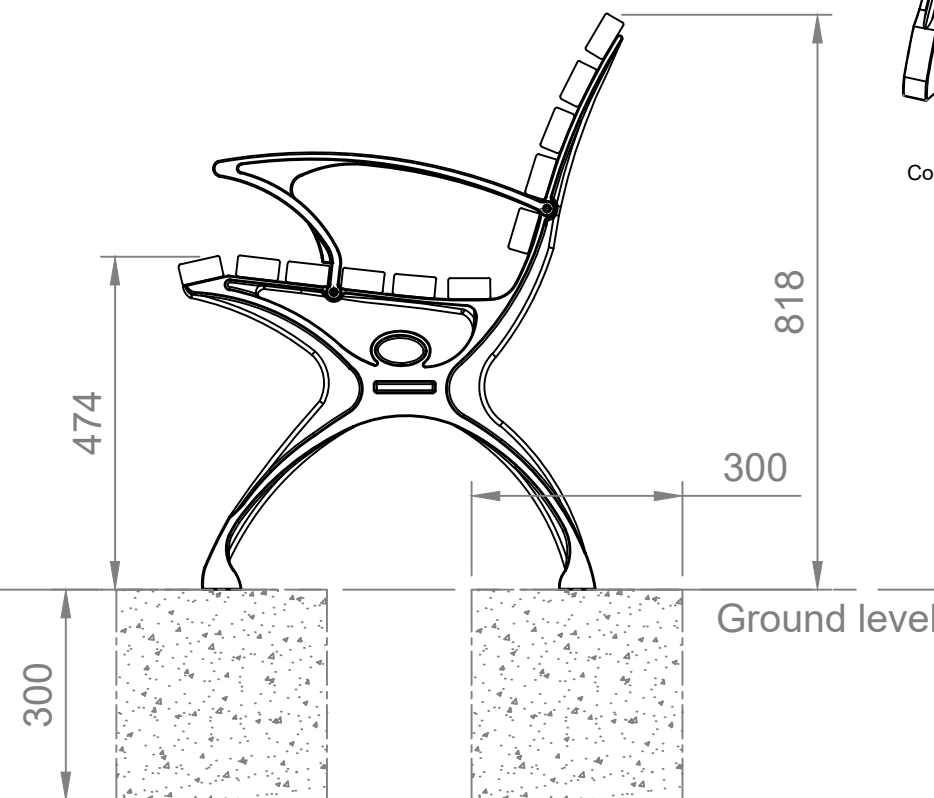
- One 1900x750x100mm (minimum) thick slab recommended



Perspective view



Front view



Right view



Commercial Systems Australia Pty. Ltd.

42 Orchard St, Kilsyth South, VIC  
 phone: (03) 9725 9344  
 fax: (03) 9725 9744  
 email: design@commercialsystems.com.au

Model Code: TM4259  
 Model Description: Wyndham Seat

**Drawing: CS0285**

Sheet Number: -  
 Sheet Description: Installation

Drawn By: C.Artemiou  
 Date Drawn: 19.04.2010  
 Revision Number: 7

SCALE 1:1

ALL DIMENSIONS IN MILLIMETERS  
 UNLESS OTHERWISE STATED  
 ALL PARTS CENTRED UNLESS SPECIFIED

TOLERANCES

X	+/- 1mm
X.X	+/- 0.5mm
X.XX	+/- 0.05mm