

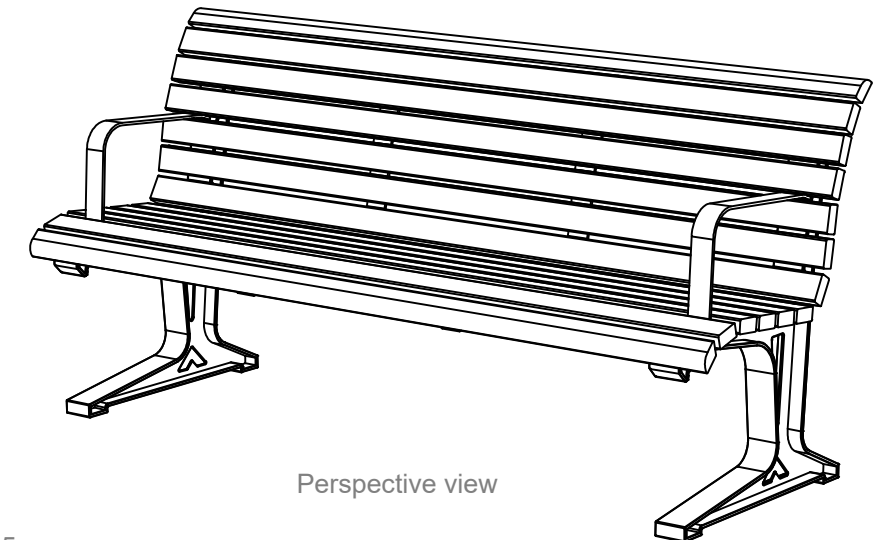
INSTALLATION DETAILS (Recommendations only)

Concrete footings, 25mPa:

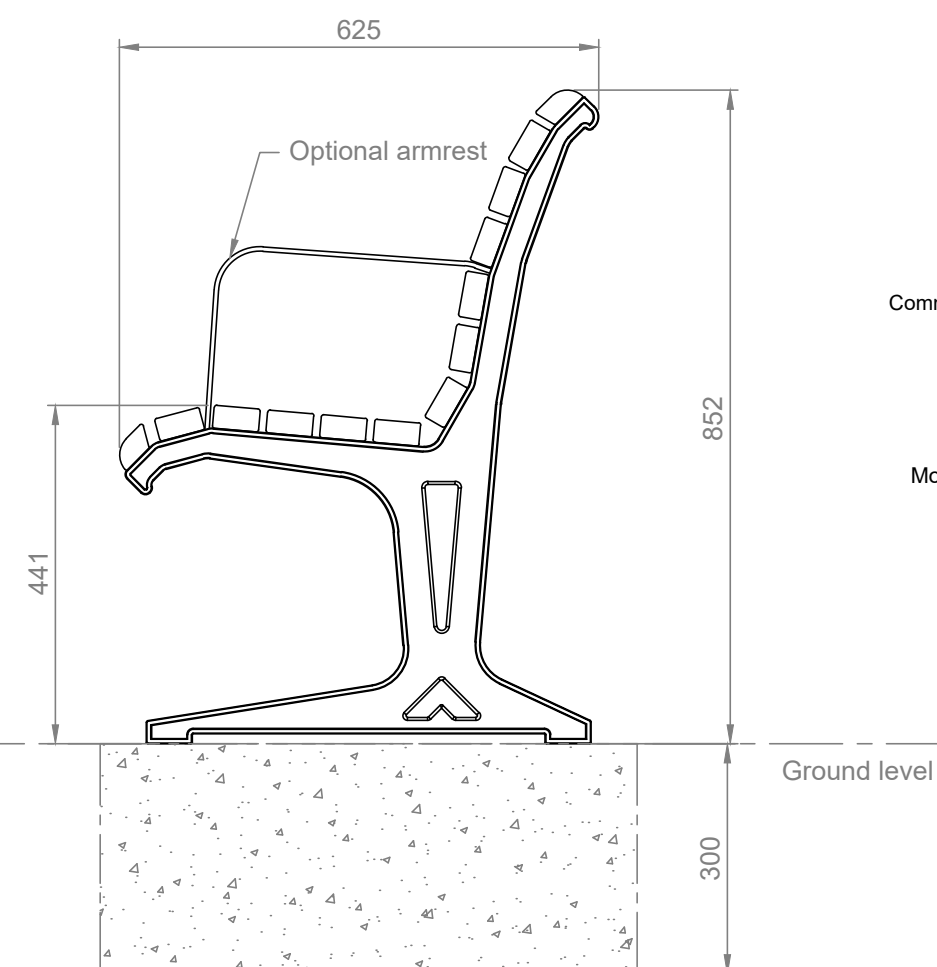
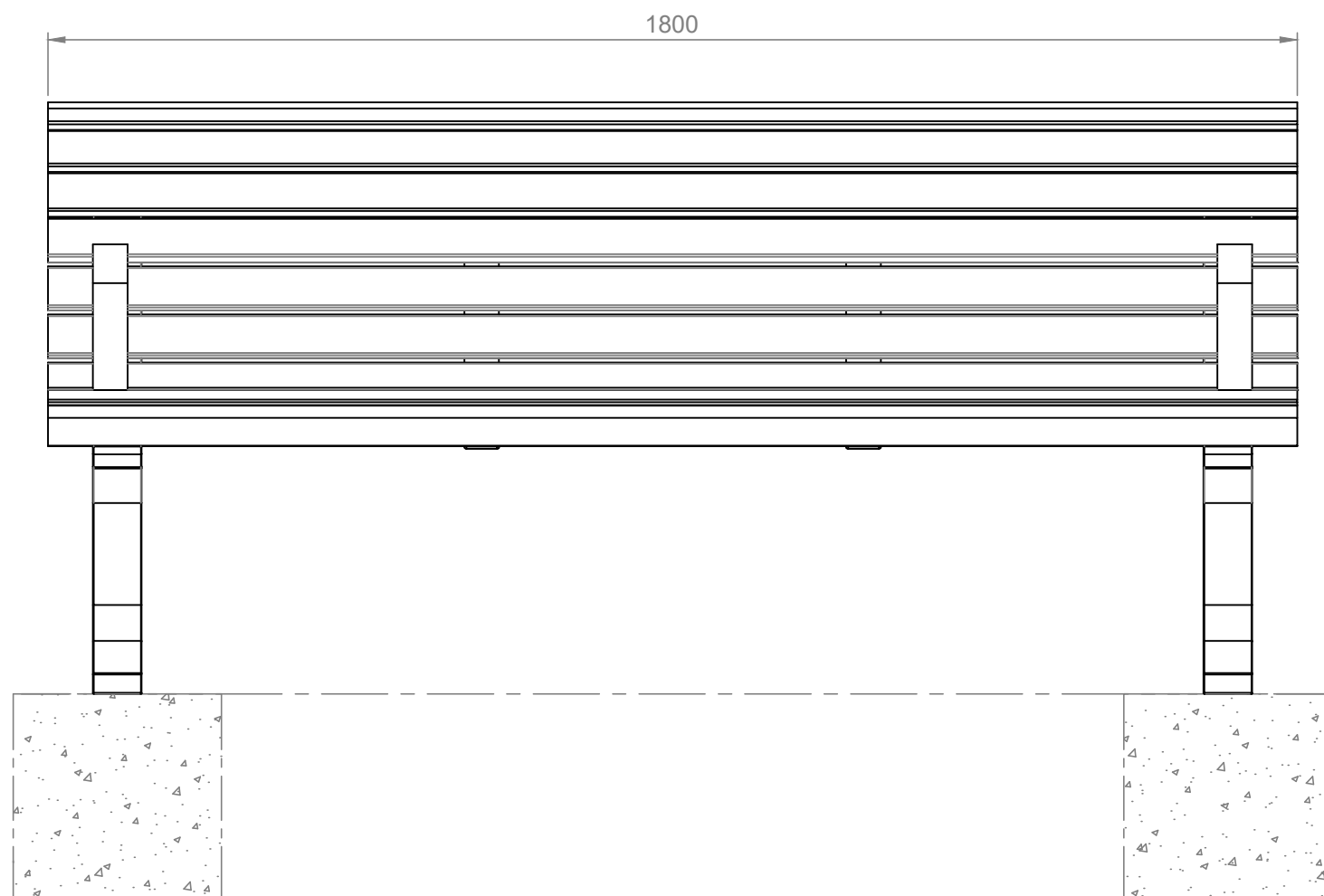
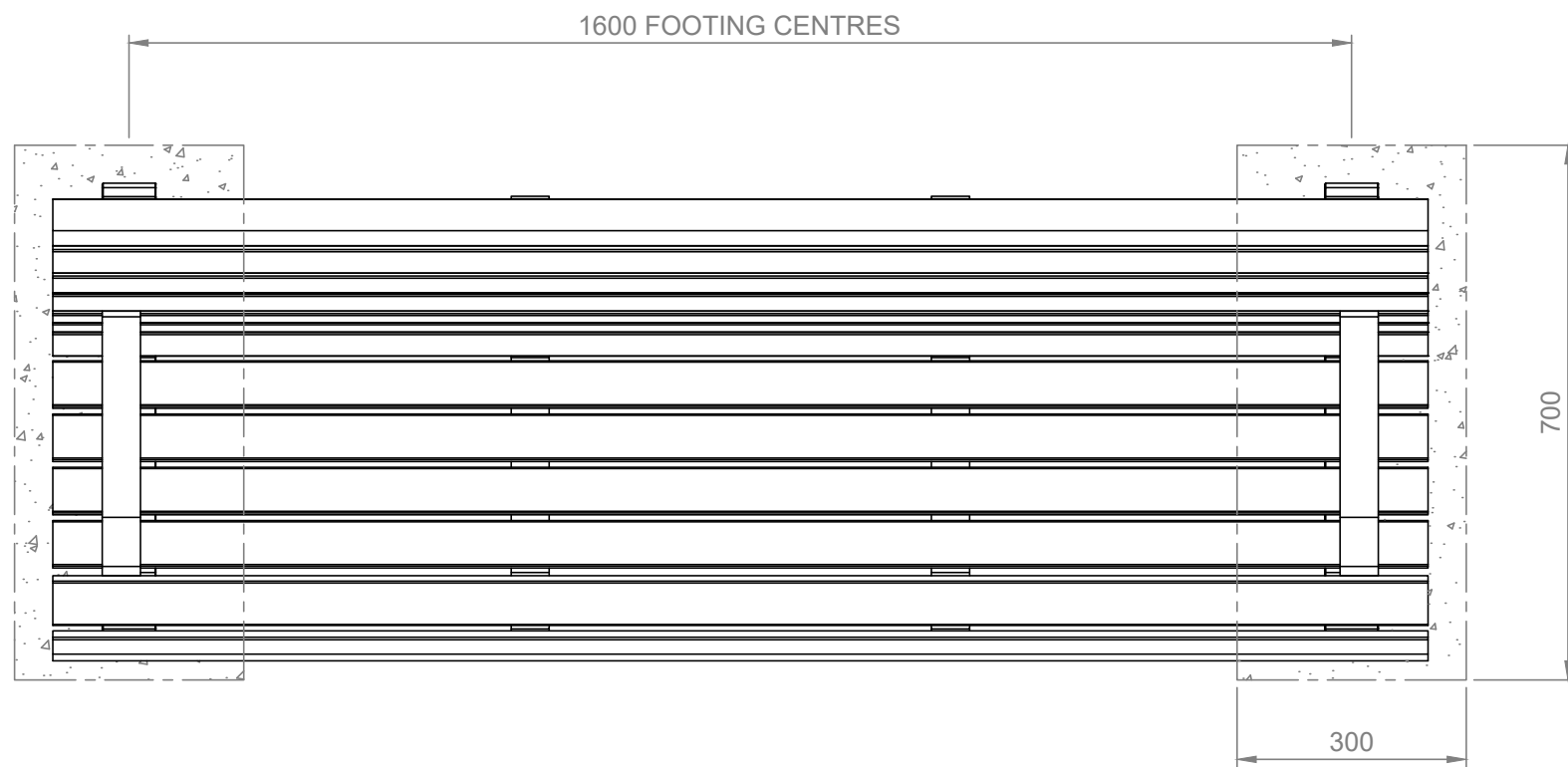
- Two 700x300x300mm minimum footing size
- Bolt down to footings with 4x M12x100mm Dynabolts or similar
- For extended leg option, set product(s) into footings or

Concrete slab, 25mPa:

- One 1900x750x100mm (minimum) thick slab recommended



Perspective view



Commercial Systems Australia Pty. Ltd.
 42 Orchard St, Kilsyth South, VIC
 phone: (03) 9723 4111
 fax: (03) 9723 3494
 email: design@commercialsystems.com.au

Model Code: TM4200
 Model Description: Esplanade Seat

Drawing: CS0260
 Sheet Number: -
 Sheet Description: Installation

Drawn By: C.Artemiou
 Date Drawn: 16.03.2010
 Revision Number: 4

SCALE 1:1

ALL DIMENSIONS IN MILLIMETERS
 UNLESS OTHERWISE STATED
 ALL PARTS CENTRED UNLESS SPECIFIED

TOLERANCES

X	+/- 1mm
X.X	+/- 0.5mm
X.XX	+/- 0.05mm