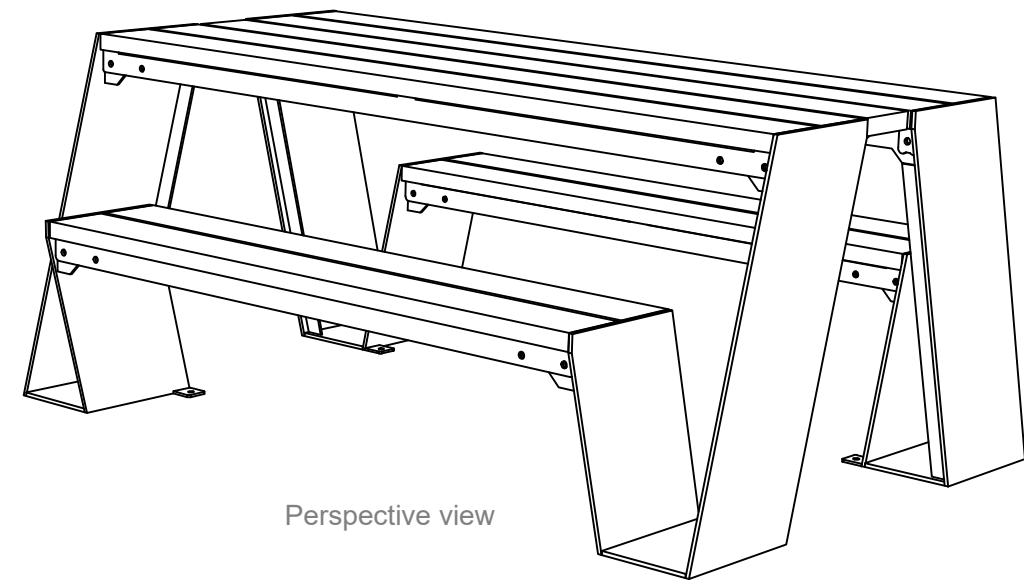
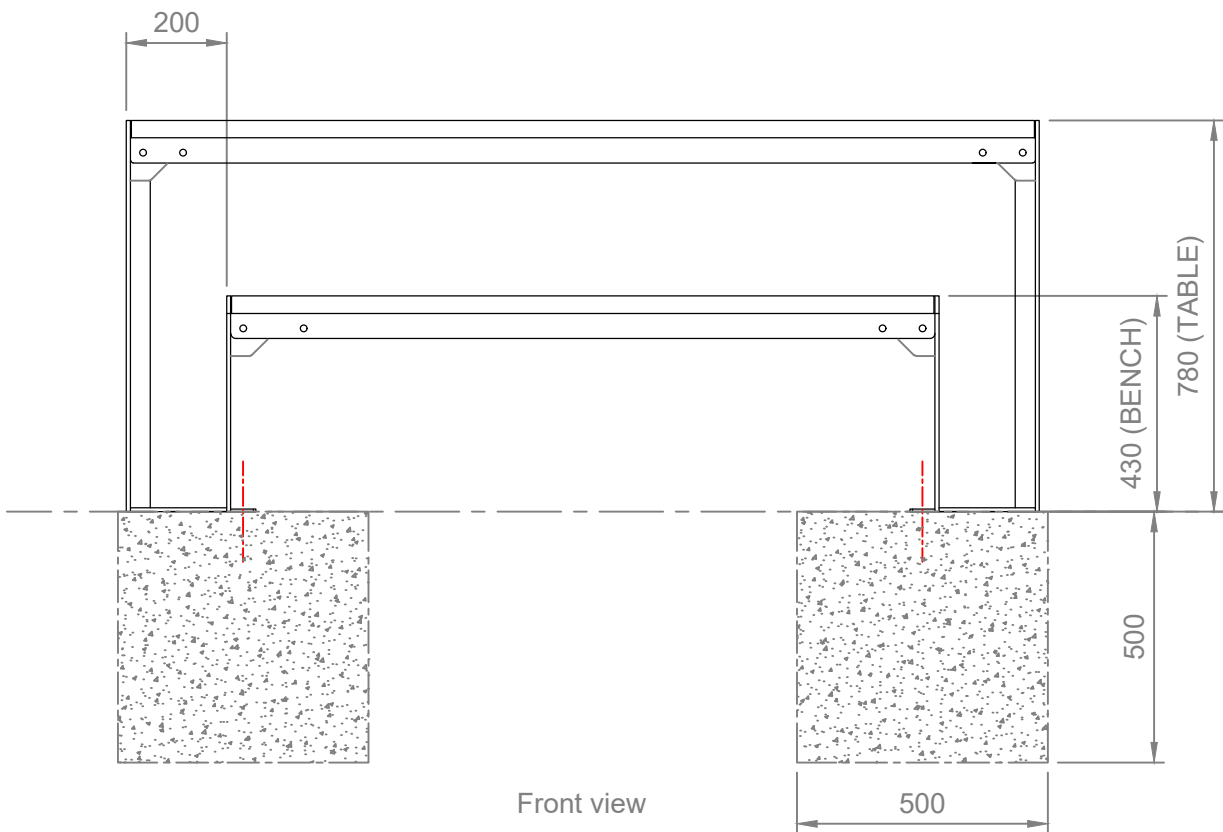


Top view

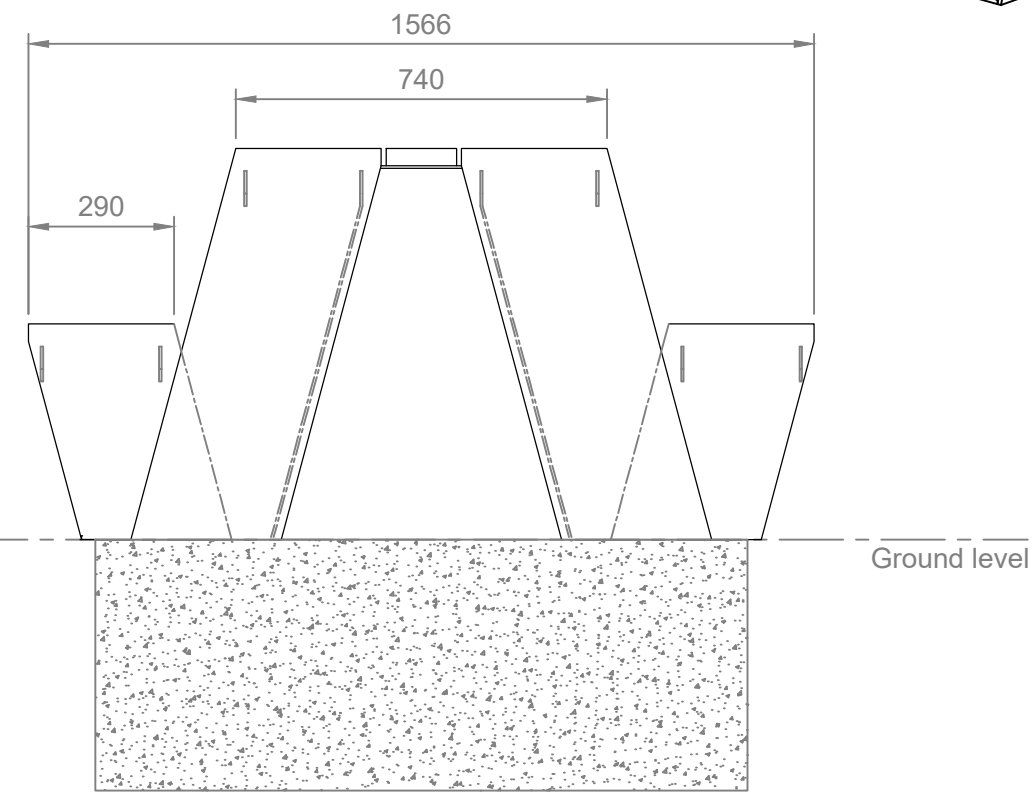
INSTALLATION DETAILS (Recommendations only)
Concrete footings, 25mPa:
 - Two 1300x500x500mm minimum footing size
 - Bolt down to footings with 4x M12x75mm Dynabolts or similar
 - For extended leg option, set product(s) into footings
 or
Concrete slab, 25mPa:
 - One 1950x1700x100mm (minimum) thick slab recommended



Perspective view



Front view



Right view



Commercial Systems Australia Pty. Ltd.
 42 Orchard St, Kilsyth South, VIC
 phone: (03) 9723 4111
 fax: (03) 9723 3494
 email: design@commercialsystems.com.au

Model Code: TM4170
 Model Description: Odyssey Picnic Setting

Drawing: CS1670

Sheet Number: 1
 Sheet Description: Product overview

Drawn By: J.Stuckings
 Date Drawn: 25.08.2014
 Revision Number: 9

SCALE 1:1

ALL DIMENSIONS IN MILLIMETERS
 UNLESS OTHERWISE STATED
 ALL PARTS CENTRED UNLESS SPECIFIED

TOLERANCES

X	+/- 1mm
X.X	+/- 0.5mm
X.XX	+/- 0.05mm