

Top view

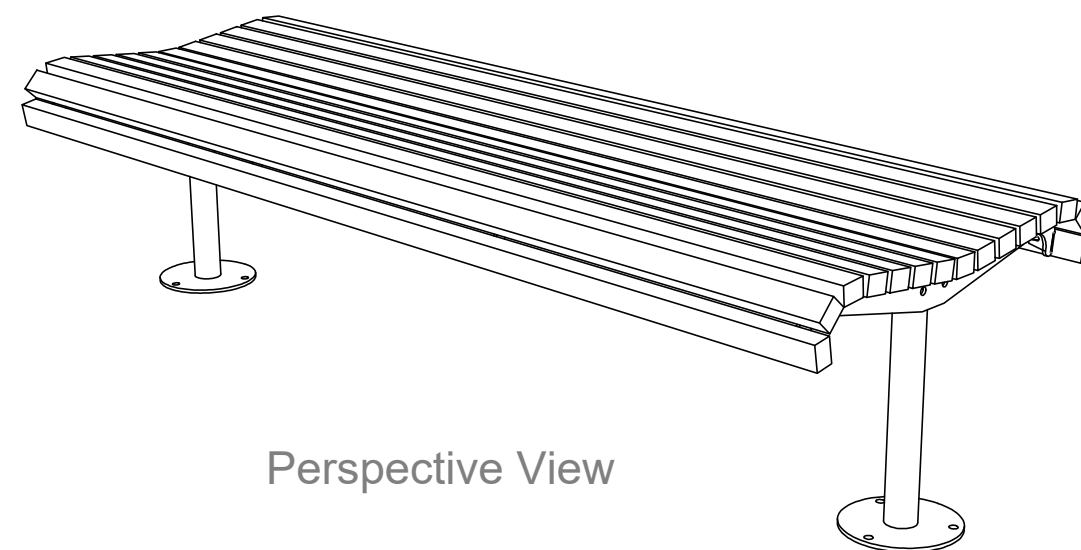
INSTALLATION DETAILS (Recommendations only)

Concrete footings, 25mPa:

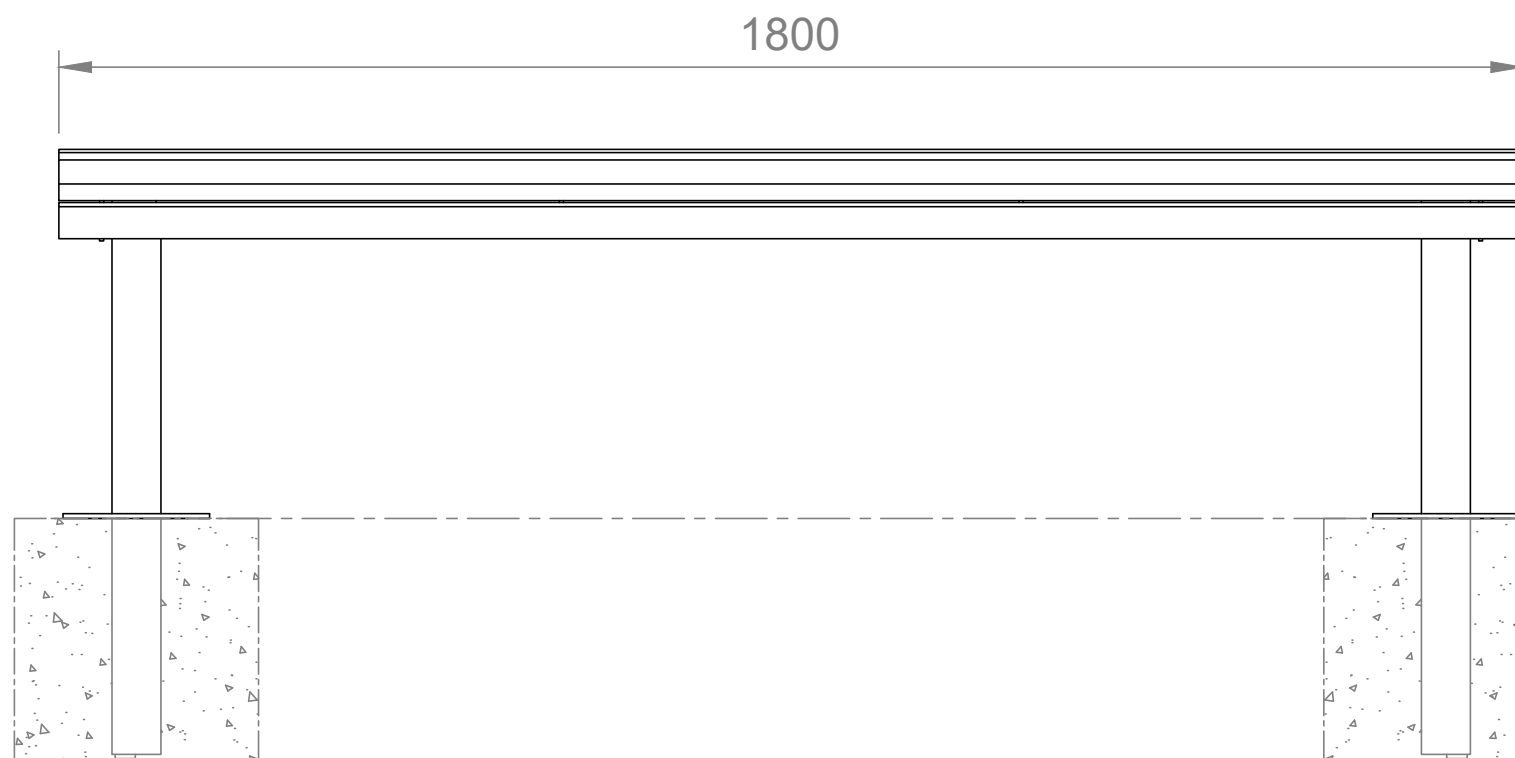
- Two 300x300x300mm minimum footing size
 - Bolt down to footings with 6x M12x75mm Dynabolts or similar
 - For extended leg option, set product(s) into footings
- or

Concrete slab, 25mPa:

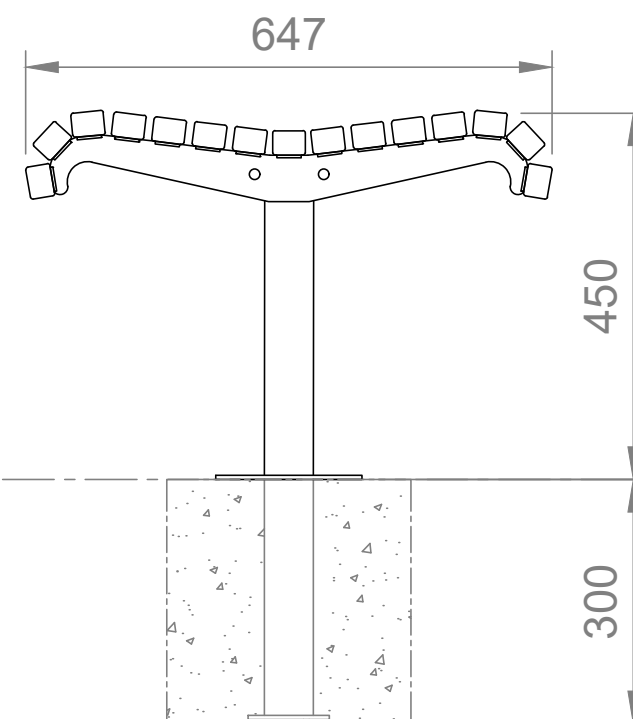
- One 1900x750x100mm (minimum) thick slab recommended



Perspective View



Front view



End view

Ground level



Commercial Systems Australia Pty. Ltd.

42 Orchard St, Kilsyth South, VIC
 phone: (03) 9723 4111
 fax: (03) 9723 3494
 email: design@commercialsystems.com.au

Model Code: TM4140
 Model Description: Contour Bench

Drawing: CS0494

Sheet Number: -
 Sheet Description: Installation

Drawn By: C.Artemiou
 Date Drawn: 12.01.2011
 Revision Number: 2

SCALE 1:1

ALL DIMENSIONS IN MILLIMETERS
 UNLESS OTHERWISE STATED
 ALL PARTS CENTRED UNLESS SPECIFIED

TOLERANCES	
X	+/- 1mm
X.X	+/- 0.5mm
X.XX	+/- 0.05mm