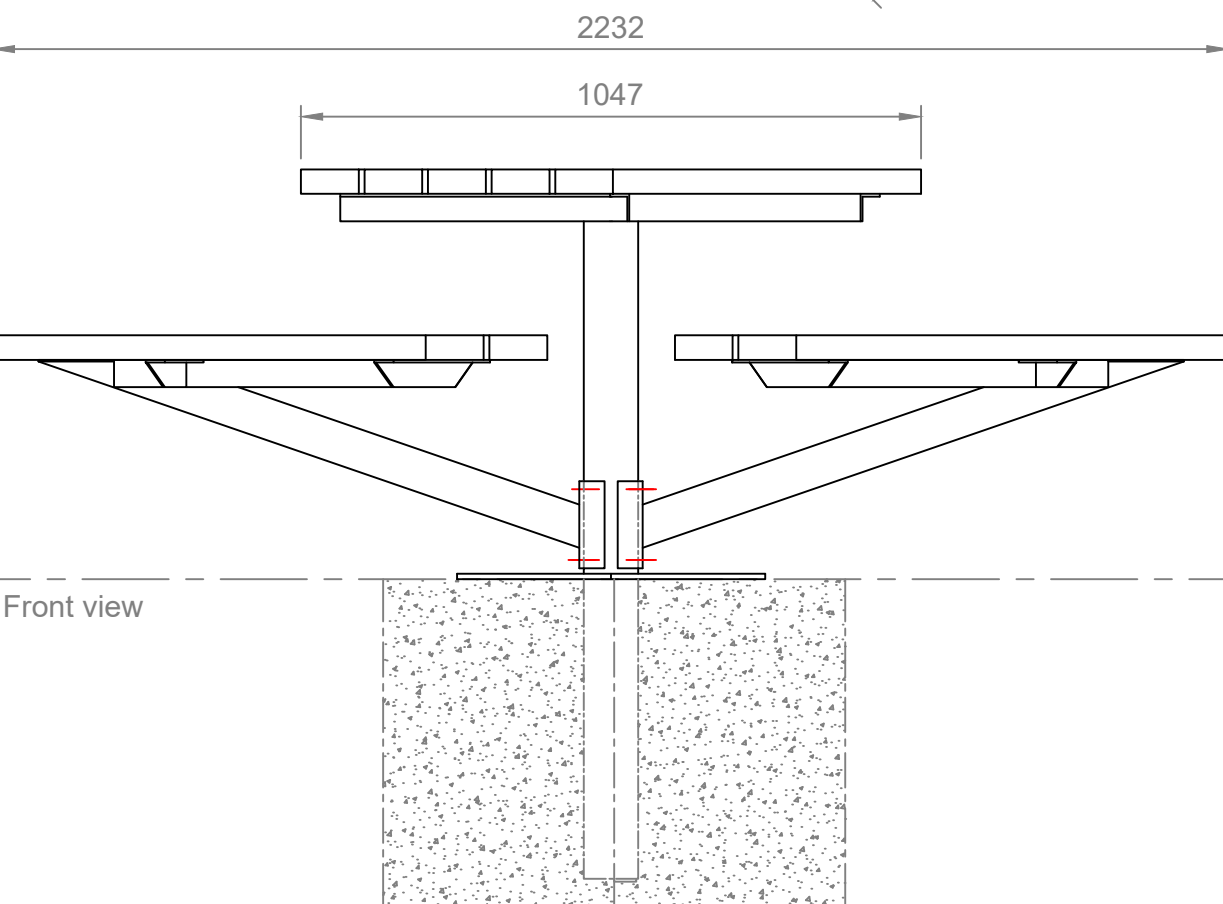
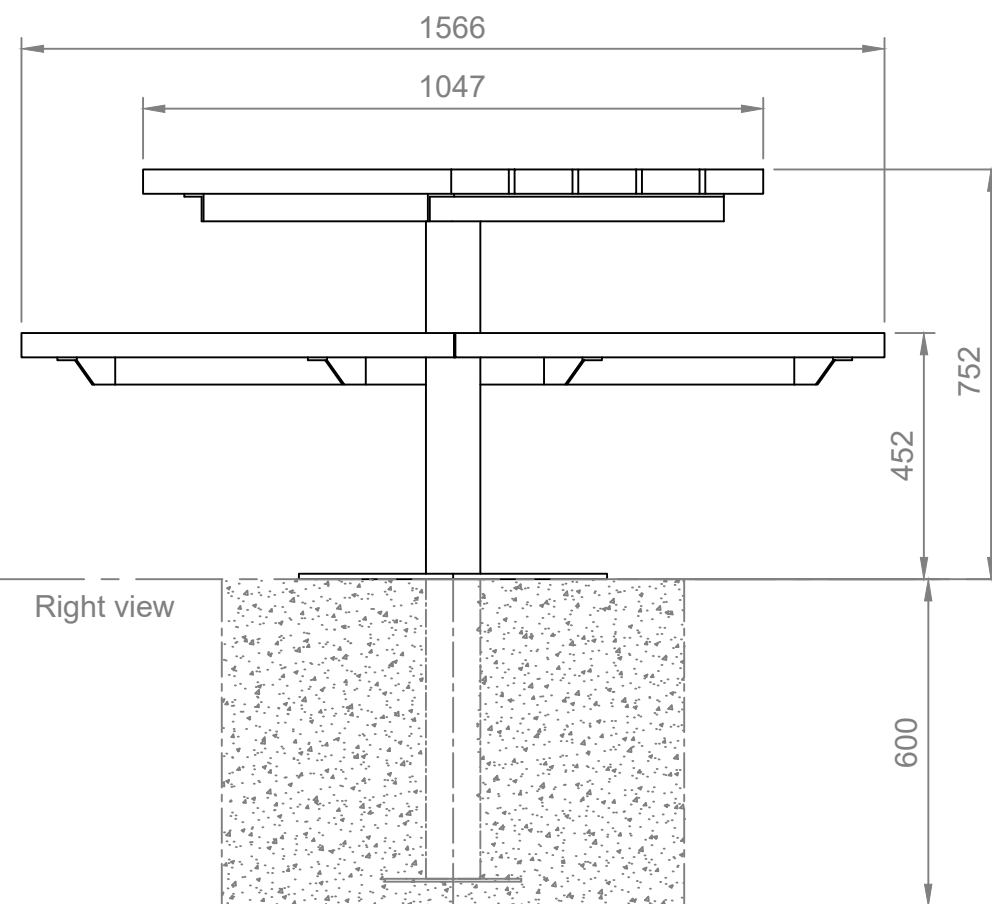


Top view



Front view



Right view

INSTALLATION DETAILS (Recommendations only)

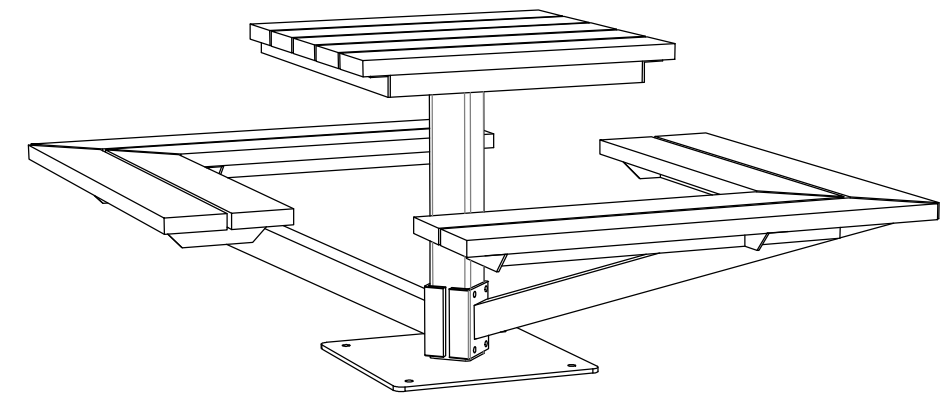
Concrete footings, 25mPa:

- One 600x600x600mm minimum footing size
- Bolt down to footings with 4x M12x75mm Dynabolts or similar
- For extended leg option, set product(s) into footings

or

Concrete slab, 25mPa:

- One 1700x1700x100mm (minimum) thick slab recommended



Perspective view



Commercial Systems Australia Pty. Ltd.

42 Orchard St, Kilsyth South, VIC

phone: (03) 9725 9344

fax: (03) 9725 9744

email: design@commercialsystems.com.au

Model Code: TM4125

Model Description: Nunawading Setting

Drawing: CS0137

Sheet Number: -

Sheet Description: Installation

Drawn By: G.Smith

Date Drawn: 02.10.2009

Revision Number: 4

SCALE 1:1

ALL DIMENSIONS IN MILLIMETERS
UNLESS OTHERWISE STATED
ALL PARTS CENTRED UNLESS SPECIFIED

TOLERANCES

X +/- 1mm

X.X +/- 0.5mm

X.XX +/- 0.05mm