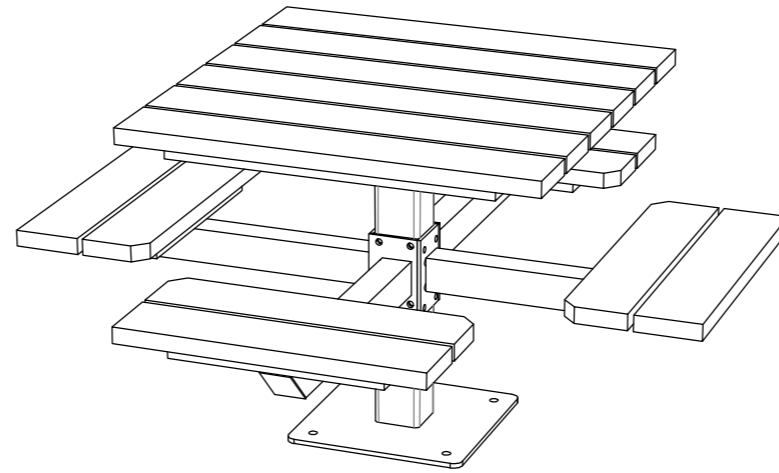


Top View

Batten options (Size: 140x35mm)  
 1. Australian hardwood timber (Quantum Oil)  
 2. Enviroslat composite battens (Walnut)



Perspective View

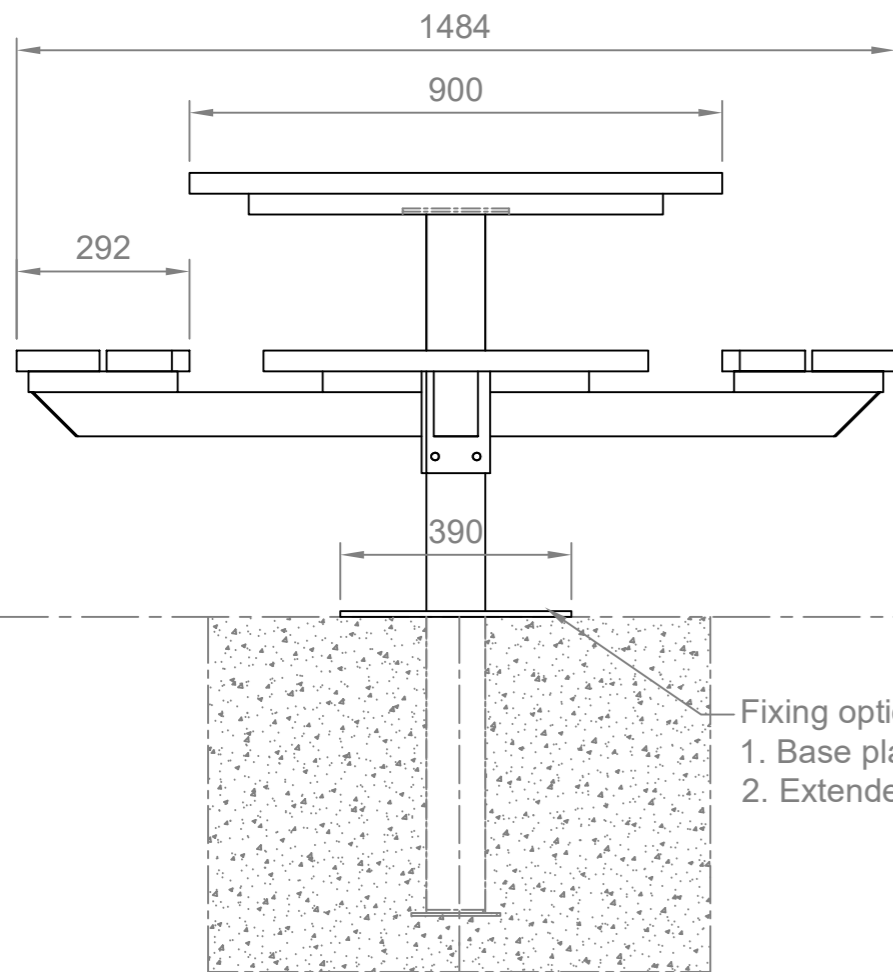
**INSTALLATION DETAILS (Recommendations only)**

**Concrete footings, 25mPa:**

- One 600x600x600mm minimum footing size
- Bolt down to footings with 4x M12x75mm Dynabolts or similar
- For extended leg option, set product(s) into footings

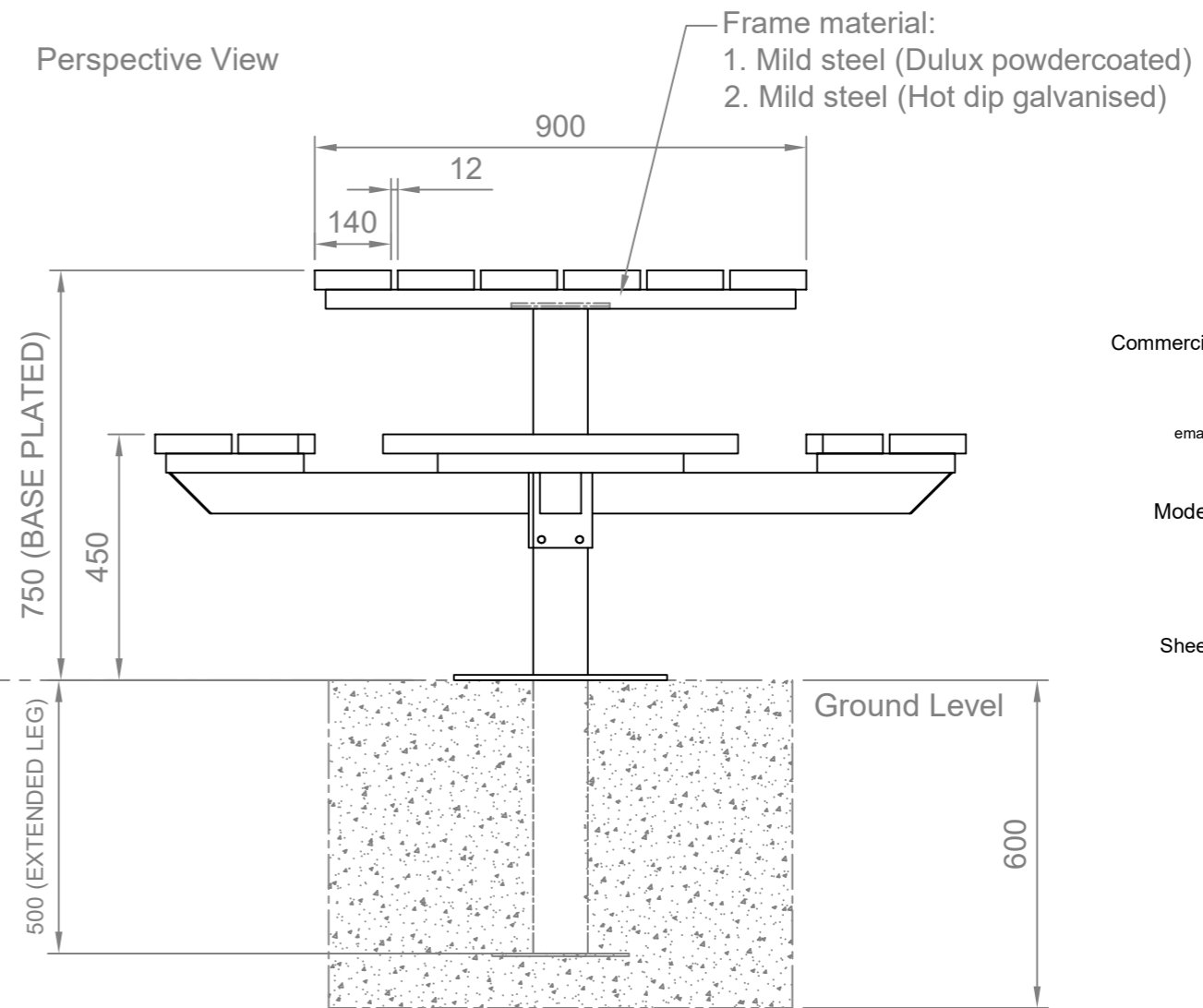
or  
**Concrete slab, 25mPa:**

- One 1700x1700x100mm (minimum) thick slab recommended



Front View

Fixing options:  
 1. Base plated (Standard)  
 2. Extended leg



Right View



Commercial Systems Australia Pty. Ltd.  
 42 Orchard St, Kilsyth South, VIC  
 phone: (03) 9723 4111  
 fax: (03) 9723 3494  
 email: design@commercialsystems.com.au

Model Code: TM4122  
 Model Description: Valley Setting

**Drawing: CS0091**

Sheet Number: 0  
 Sheet Description: Install overview

Drawn By: C.Artemiou  
 Date Drawn: 07.06.2010  
 Revision Number: 7

SCALE 1:1

ALL DIMENSIONS IN MILLIMETERS  
 UNLESS OTHERWISE STATED  
 ALL PARTS CENTRED UNLESS SPECIFIED

TOLERANCES	
X	+/- 1mm
X.X	+/- 0.5mm
X.XX	+/- 0.05mm