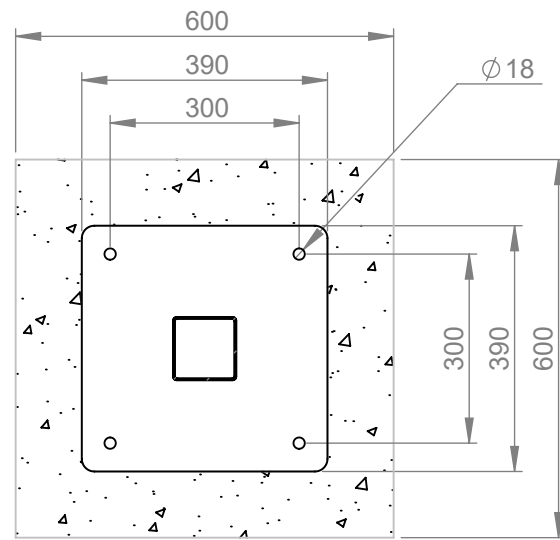


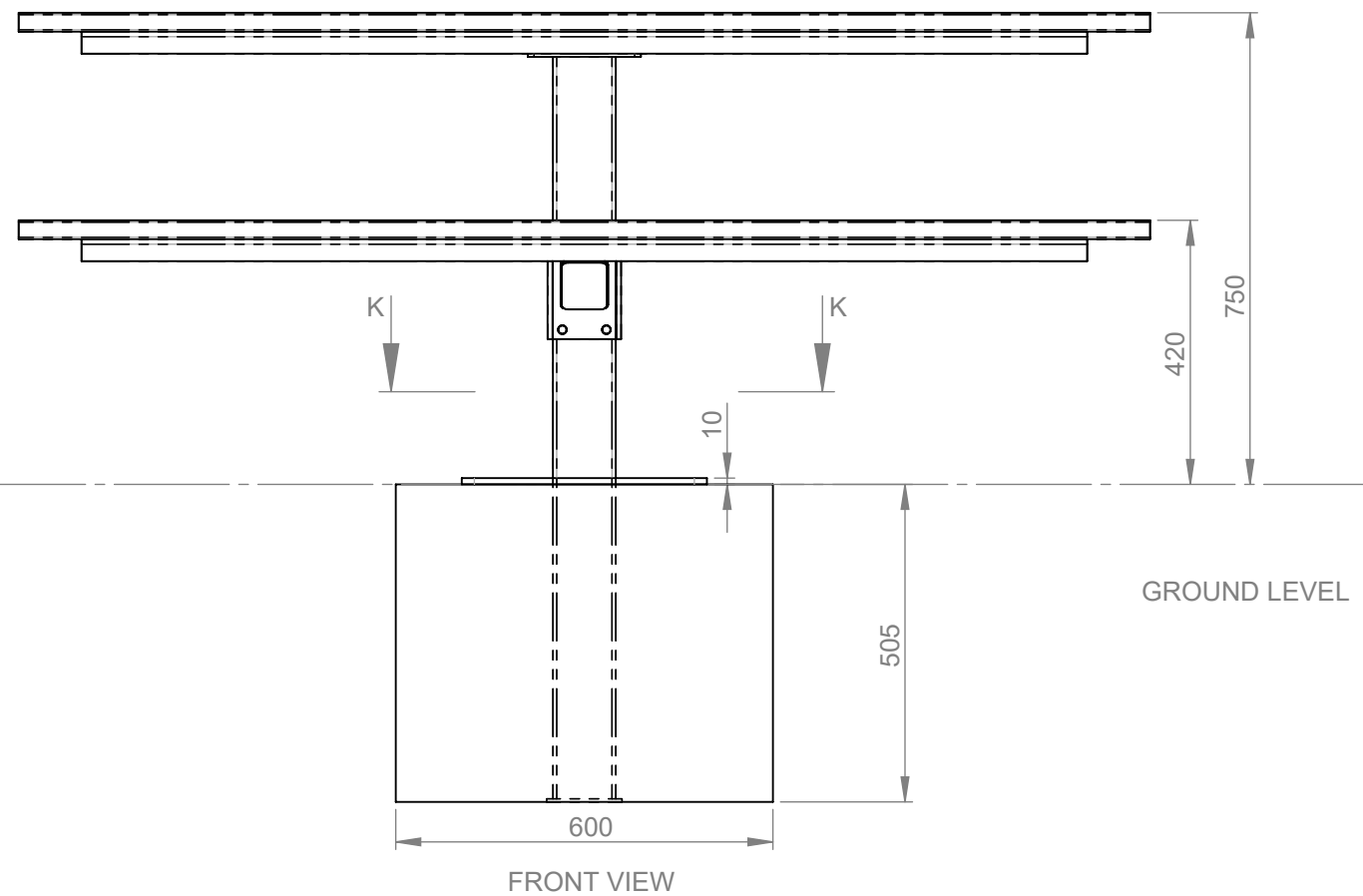
INSTALLATION DETAILS (RECOMMENDATIONS ONLY)
SITE CONDITIONS MAY REQUIRE LARGER FOOTINGS

CONCRETE FOOTING, 25MPA:

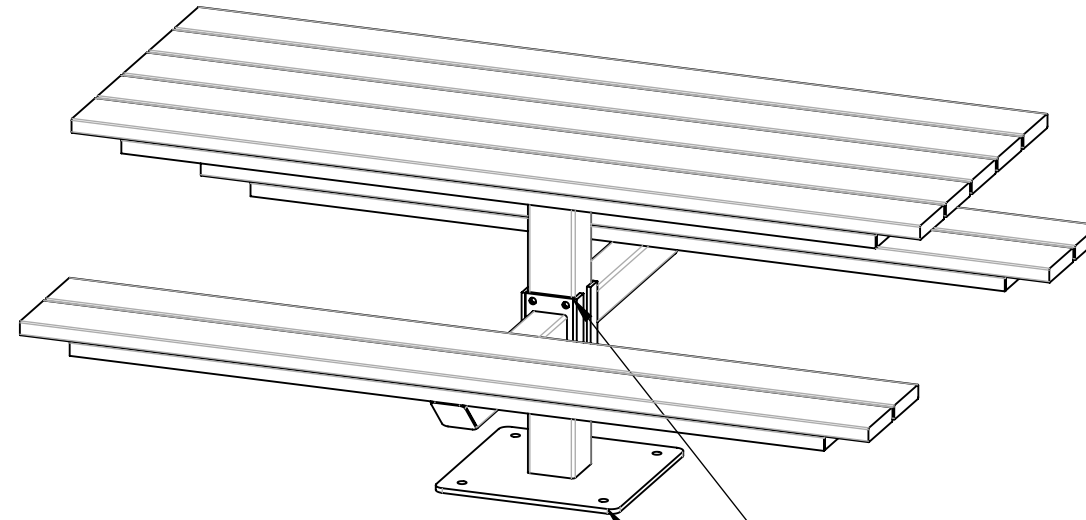
- 1 QTY AT 600L X 600W X 500D mm MINIMUM FOOTING SIZE
- BOLT DOWN TO FOOTINGS WITH 4X M16X100MM DYNABOLTS OR SIMILAR
- FOR EXTENDED LEG SET LEG INTO FOOTING
- OR
- 1 QTY CONCRETE SLAB MIN 150mm THICK
- BOLT DOWN TO FOOTINGS WITH 4X M16X100MM DYNABOLTS OR SIMILAR



SECTION K-K



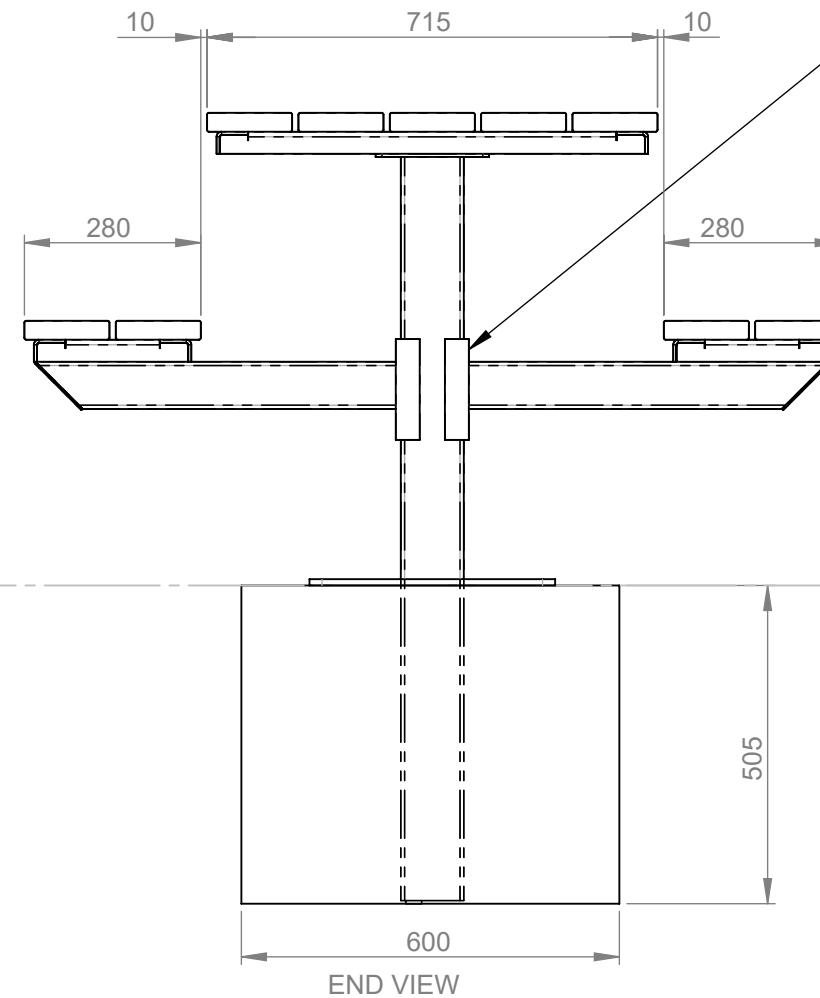
FRONT VIEW



PERSPECTIVE VIEW
(BASE PLATED SHOWN)

ASSEMBLY
 ITEM CAN BE SUPPLIED FLAT PACKED
 FOR ASSEMBLY ON SITE
 (ASSEMBLY FIXINGS SUPPLIED)

FIXING METHOD
 M16 BOLT DOWN, TOTAL 4 REQ (NOT SUPPLIED)
 OR EXTENDED LEG INTO CONCRETE FOOTING



END VIEW

IF ARMS SUPPLIED
 UNASSEMBLED. FIX
 THROUGH TABLE LEG WITH
 4XM12 BOLT ASSEMBLIES
 (SUPPLIED)



Commercial Systems Australia Pty. Ltd.

42 Orchard Street, Kilsyth South, VIC
 phone: (03) 9723 4111
 fax: (03) 9723 3494
 email: design@commercialsystems.com.au

Model Code: TM4120
 Model Description:
 Koornang Setting. 135x30mm

Drawing: CS7518

Sheet Number: 10
 Sheet Description: Install Sheet

Drawn By: GS
 Date Drawn: 12/08/2021
 Revision Number: 1
 Revision Details:
 SCALE 1:12

ALL DIMENSIONS IN MILLIMETERS
 UNLESS OTHERWISE STATED
 ALL PARTS CENTRED UNLESS SPECIFIED

TOLERANCES

X +/- 1mm
 X.X +/- 0.5mm
 X.XX +/- 0.05mm