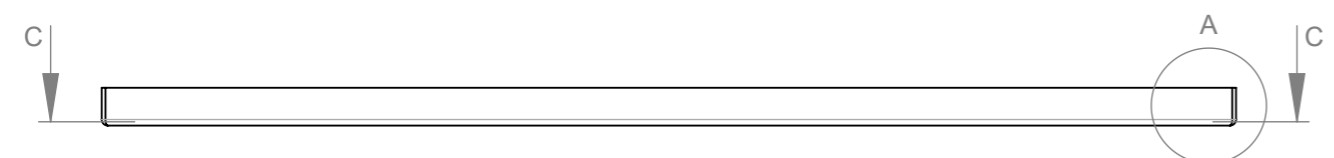
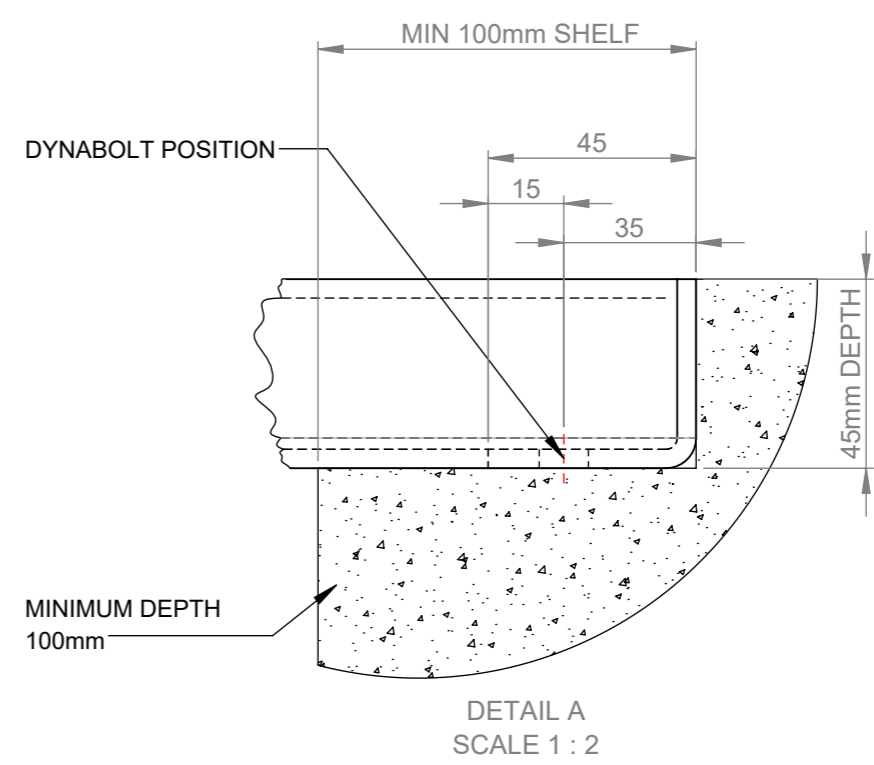


SECTION C-C



INSTALLATION DETAILS (RECOMMENDATIONS ONLY)
CONCRETE FOOTING, 25MPA:
BOLT DOWN TO FOOTINGS WITH 8X 12MM X 75MM DYNABOLTS OR SIMILAR



Commercial Systems Australia Pty. Ltd.
 42 Orchard Street, Kilsyth South, VIC
 phone: (03) 9723 4111
 fax: (03) 9723 3494
 email: design@commercialsystems.com.au

Model Code: TG1084
 Model Description: STANDARD SIZES

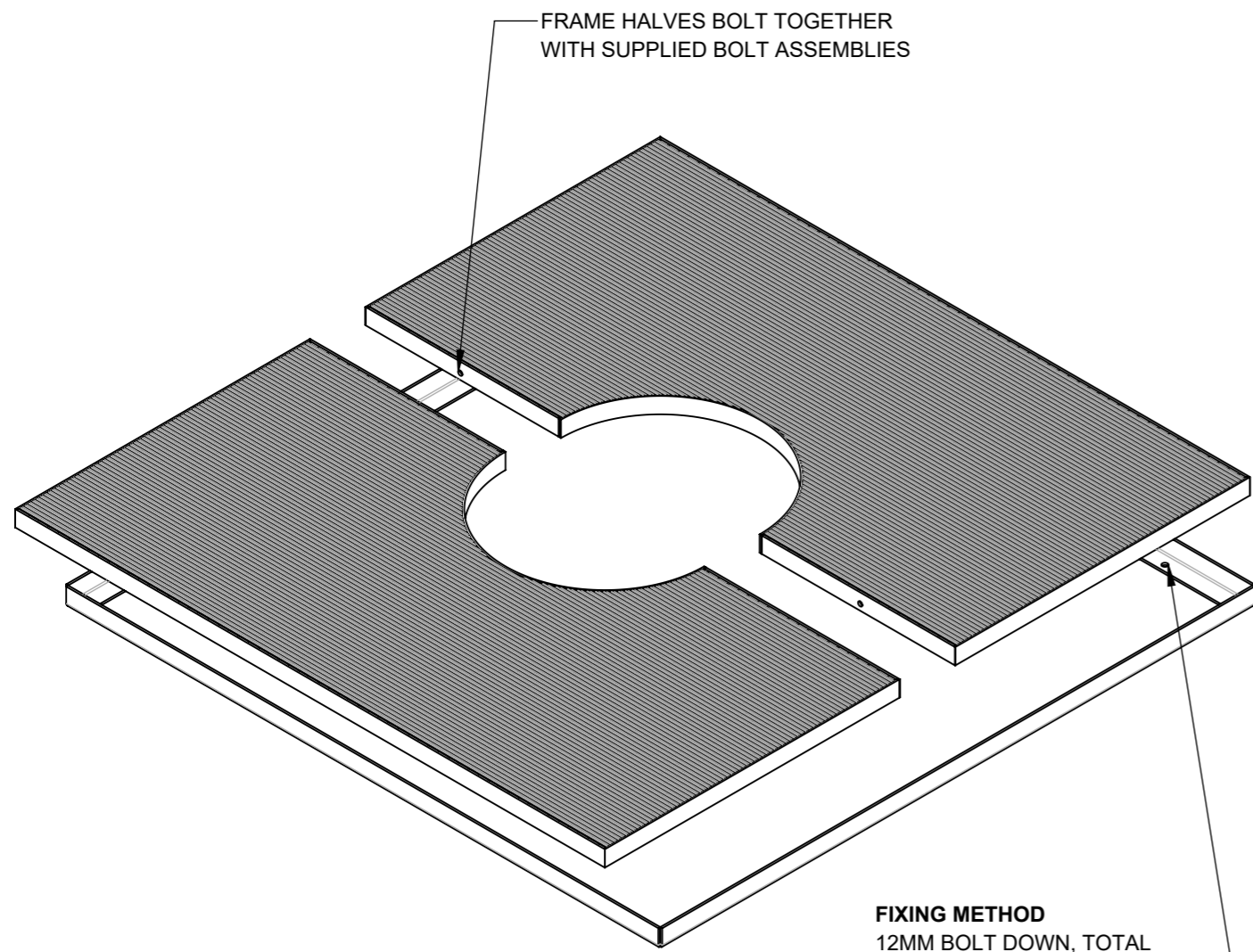
Drawing: CS5986
 Sheet Number: 0
 Sheet Description: Install

Drawn By: GS
 Date Drawn: 3/07/2019
 Revision Number: 0
 Revision Details: -
 SCALE 1:10

ALL DIMENSIONS IN MILLIMETERS
 UNLESS OTHERWISE STATED
 ALL PARTS CENTRED UNLESS SPECIFIED

TOLERANCES

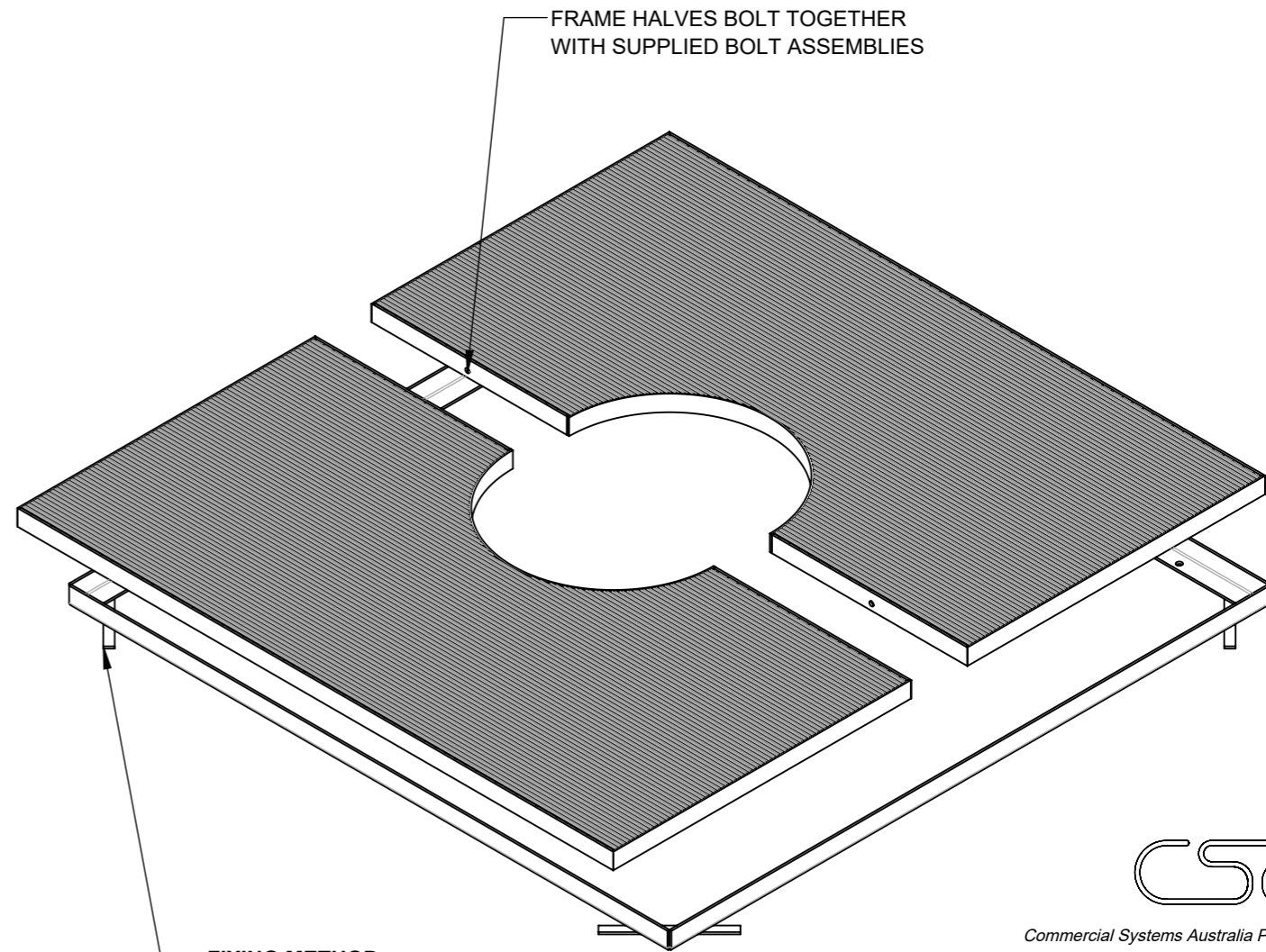
X	+/- 1mm
X.X	+/- 0.5mm
X.XX	+/- 0.05mm



FRAME HALVES BOLT TOGETHER
WITH SUPPLIED BOLT ASSEMBLIES

FIXING METHOD
12MM BOLT DOWN, TOTAL
8 AVAILABLE (NOT SUPPLIED)

EXPLODED VIEW
BOLT DOWN (1500x1500x500mm SHOWN)



FRAME HALVES BOLT TOGETHER
WITH SUPPLIED BOLT ASSEMBLIES

FIXING METHOD
EXTENDED LEG/CAST IN FRAME
TABS TO ANCHOR INTO
CONCRETE WHILE POURING.
BOLT HOLES NOT REQUIRED.

EXPLODED VIEW
EXTENDED LEG (1500x1500x500mm SHOWN)



Commercial Systems Australia Pty. Ltd.

42 Orchard Street, Kilsyth South, VIC
phone: (03) 9723 4111
fax: (03) 9723 3494
email: design@commercialsystems.com.au

Model Code: TG1084-1500x1500x500mm
Model Description: V-Wire Tree Grate

Drawing: CS5986

Sheet Number: 6
Sheet Description: Install Sheet 2

Drawn By: GS
Date Drawn: 3/07/2019
Revision Number: 0
Revision Details: -
SCALE 1:12

ALL DIMENSIONS IN MILLIMETERS
UNLESS OTHERWISE STATED
ALL PARTS CENTRED UNLESS SPECIFIED

TOLERANCES
X +/- 1mm
X.X +/- 0.5mm
X.XX +/- 0.05mm