

INSTALLATION DETAILS (Recommendations only)

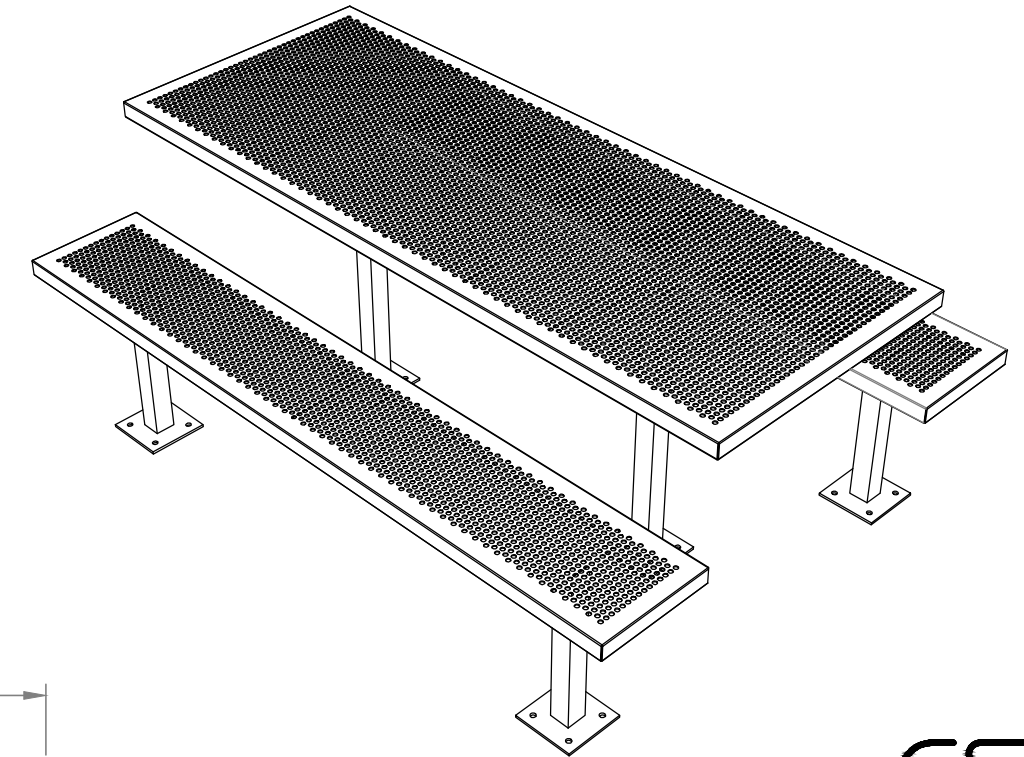
Concrete footings, 25mPa:

- Table: Two 500x500x500mm minimum footing size
- Benches: Two 300x300x300mm minimum footing size (per bench)
- Bolt down to footings with 8x M12x75mm Dynabolts or similar (per product)
- For extended leg option, set product(s) into footings

or

Concrete slab, 25mPa:

- One 1900x1500x100mm (minimum) thick slab recommended



Commercial Systems Australia Pty. Ltd.

42 Orchard St, Kilsyth South, VIC
 phone: (03) 9723 4111
 fax: (03) 9723 3494
 email: design@commercialsystems.com.au

Model Code: PM2098-97

Model Description: Perforated Slimline Table

Drawing: CS3773

Sheet Number: -

Sheet Description: Installation - Setting

Drawn By: K.Sohanpal

Date Drawn: 17.10.17

Revision Number: 1

SCALE 1:1

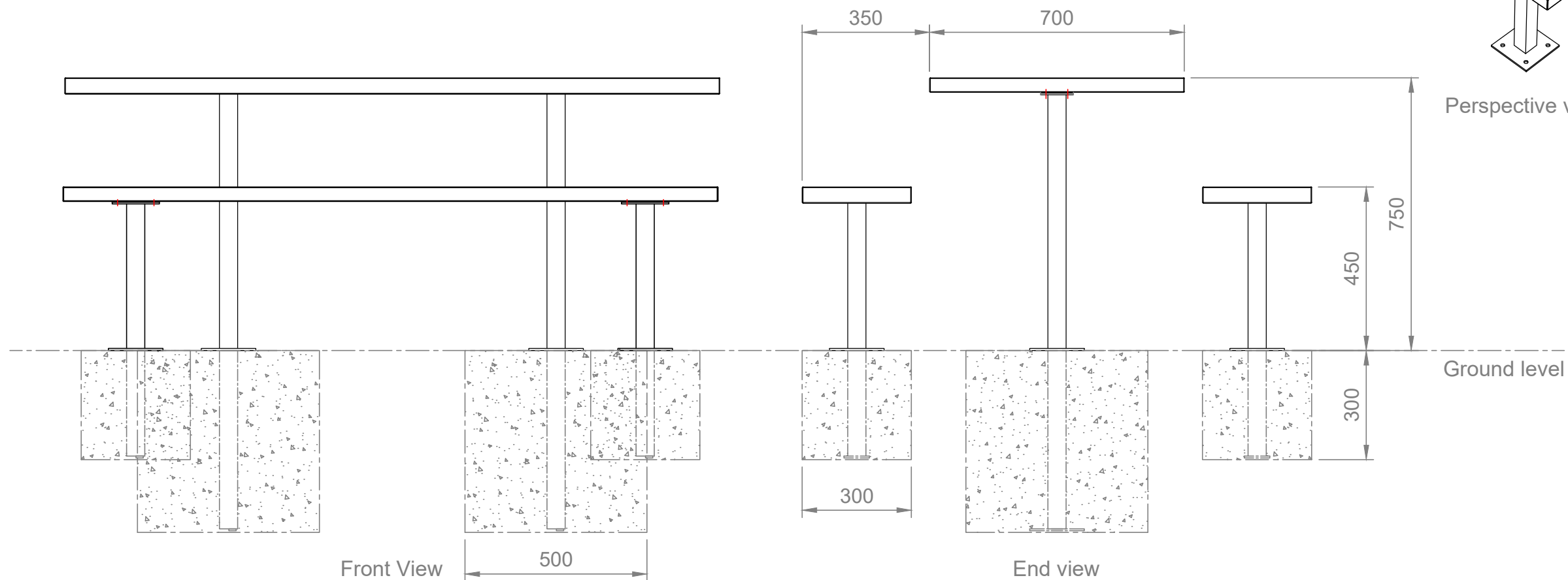
ALL DIMENSIONS IN MILLIMETERS
 UNLESS OTHERWISE STATED
 ALL PARTS CENTRED UNLESS SPECIFIED

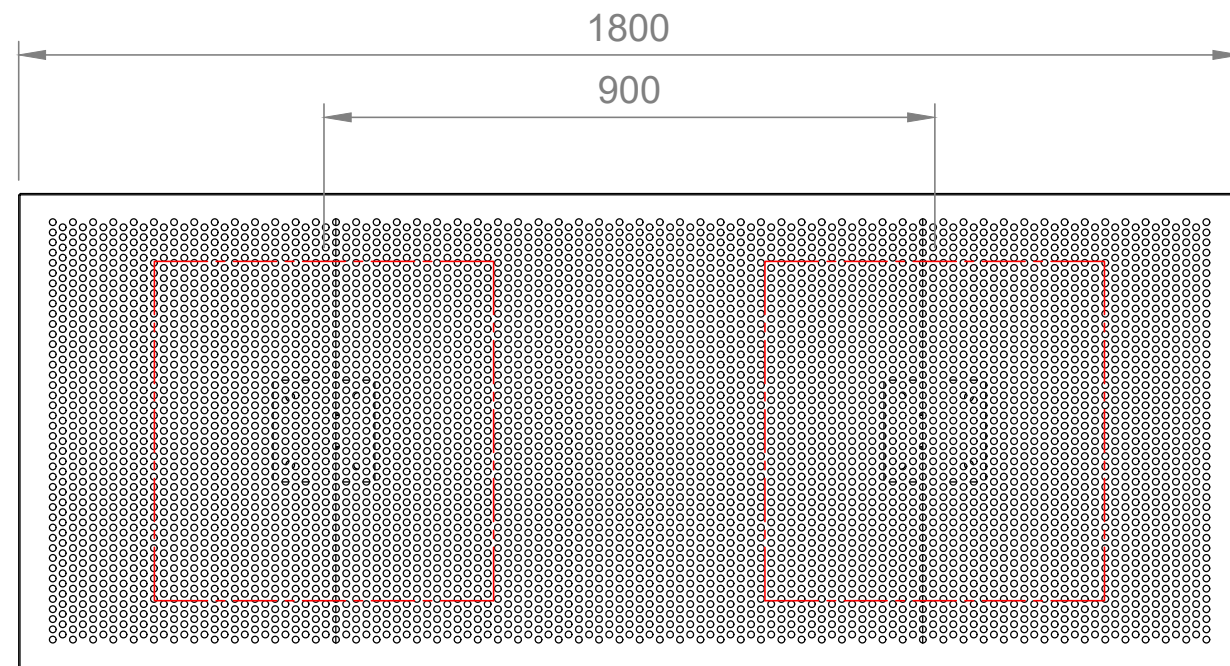
TOLERANCES

X +/- 1mm

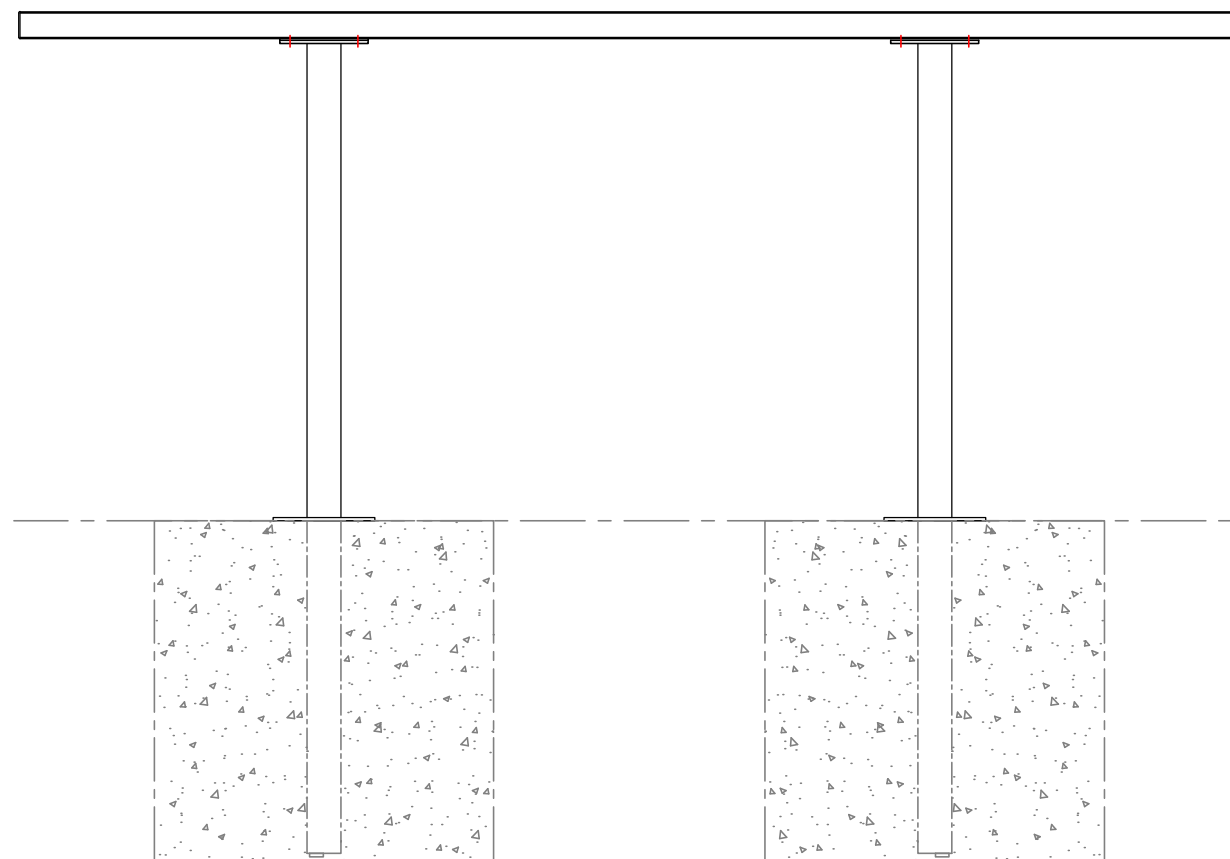
X.X +/- 0.5mm

X.XX +/- 0.05mm

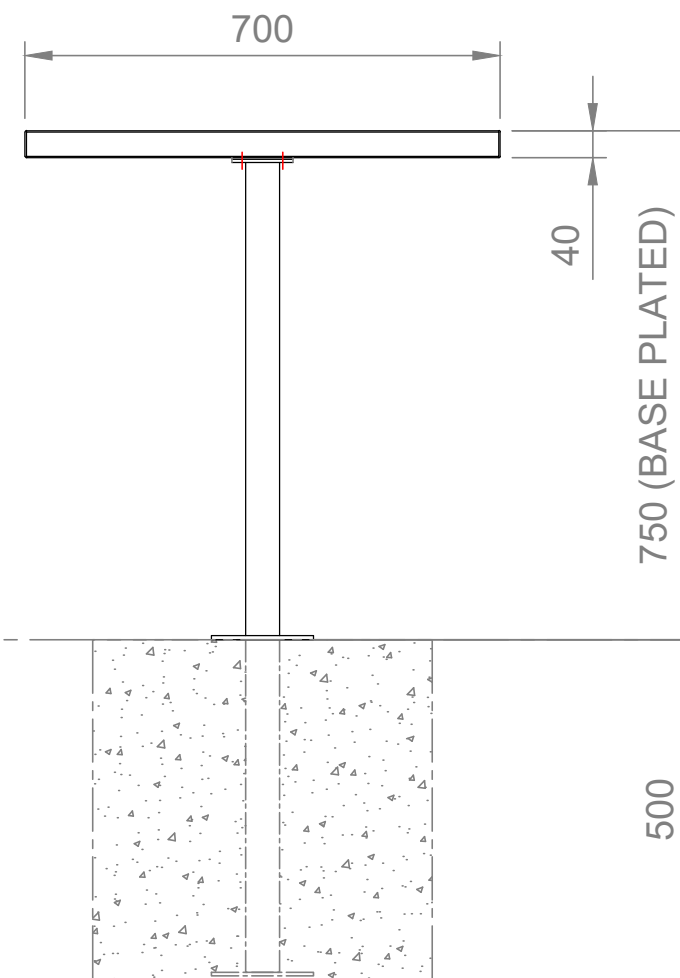




Top view

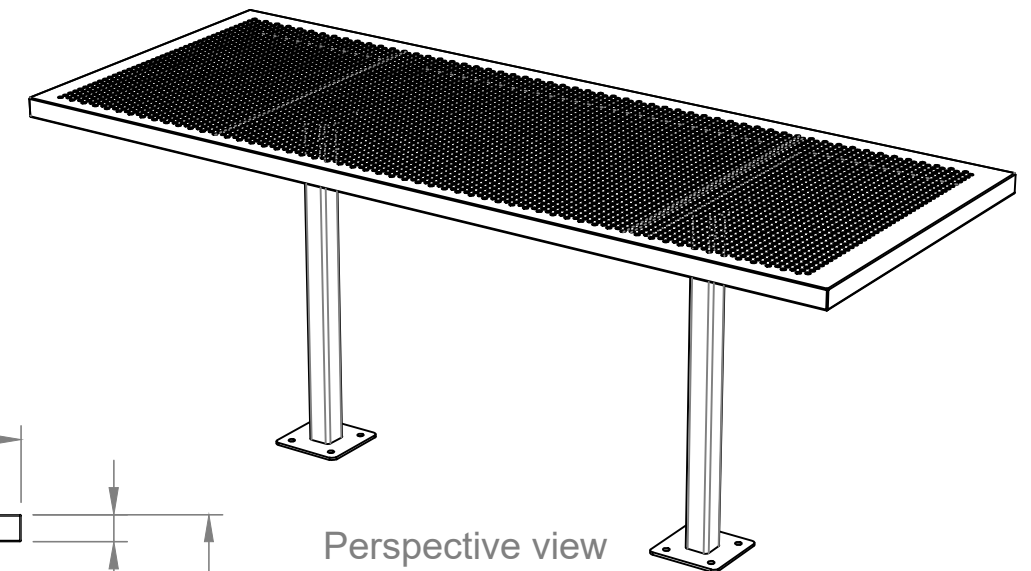


Front view



End view

INSTALLATION DETAILS (Recommendations only)
Concrete footings, 25mPa:
 - Two 500x500x500mm minimum footing size
 - Bolt down to footings with 8x M12x75mm Dynabolts or similar
 - For extended leg option, set product(s) into footings
 or
Concrete slab, 25mPa:
 - One 1900x800x100mm (minimum) thick slab recommended



Perspective view



Commercial Systems Australia Pty. Ltd.
 42 Orchard St, Kilsyth South, VIC
 phone: (03) 9723 4111
 fax: (03) 9723 3494
 email: design@commercialsystems.com.au

Model Code: PM2098
 Model Description: Perforated Slimline Table

Drawing: CS3773

Sheet Number: -
 Sheet Description: Installation

Drawn By: K.Sohanpal
 Date Drawn: 17.10.17
 Revision Number: 1

SCALE 1:1

ALL DIMENSIONS IN MILLIMETERS
 UNLESS OTHERWISE STATED
 ALL PARTS CENTRED UNLESS SPECIFIED

TOLERANCES

X	+/- 1mm
X.X	+/- 0.5mm
X.XX	+/- 0.05mm