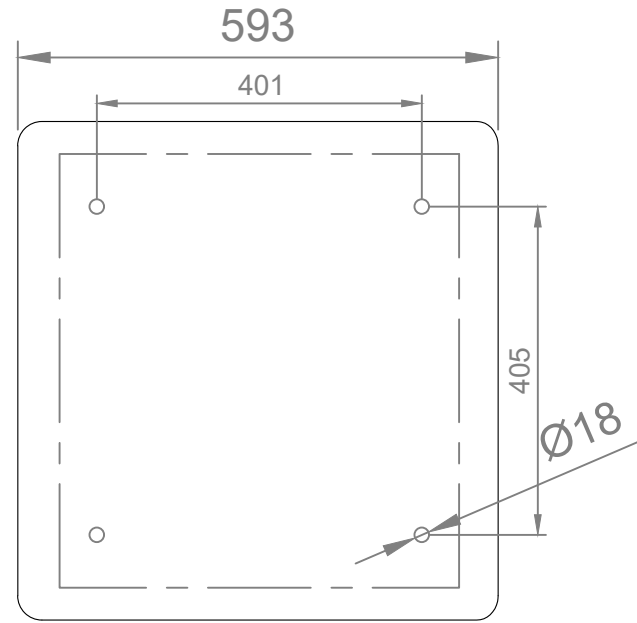
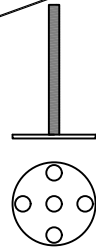


FEET
Adjustable feet attached to nutsert at base of bin enclosure. Fixing through 18mm clearance hole inside bin enclosure.

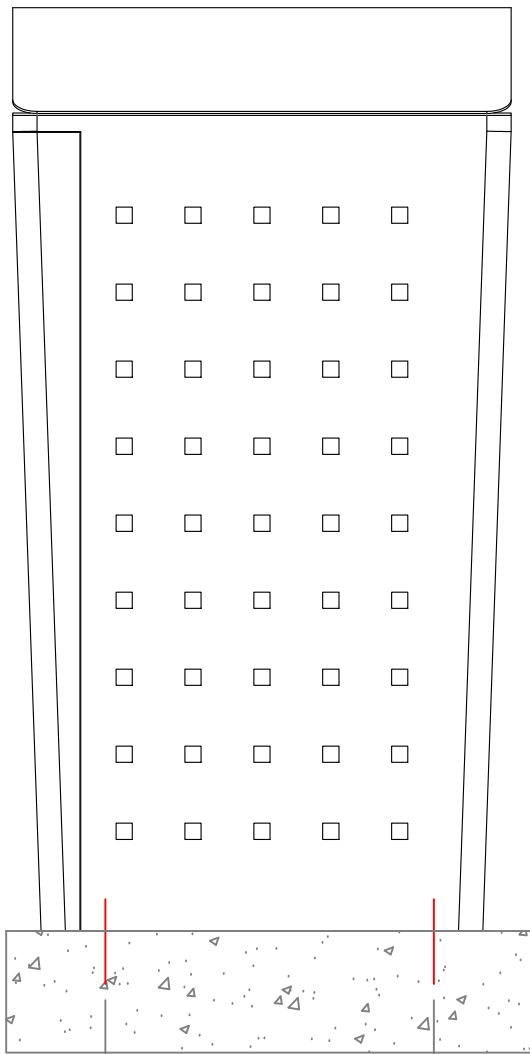


TOP VIEW

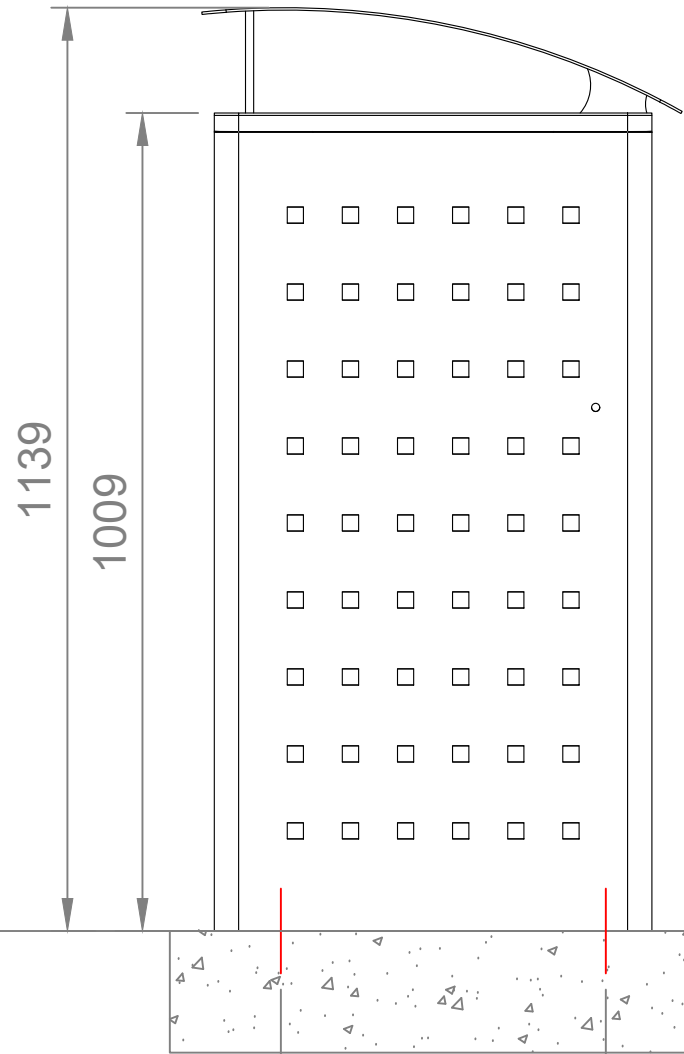
INSTALLATION DETAILS (Recommendations only)

Concrete footings, 25mPa:

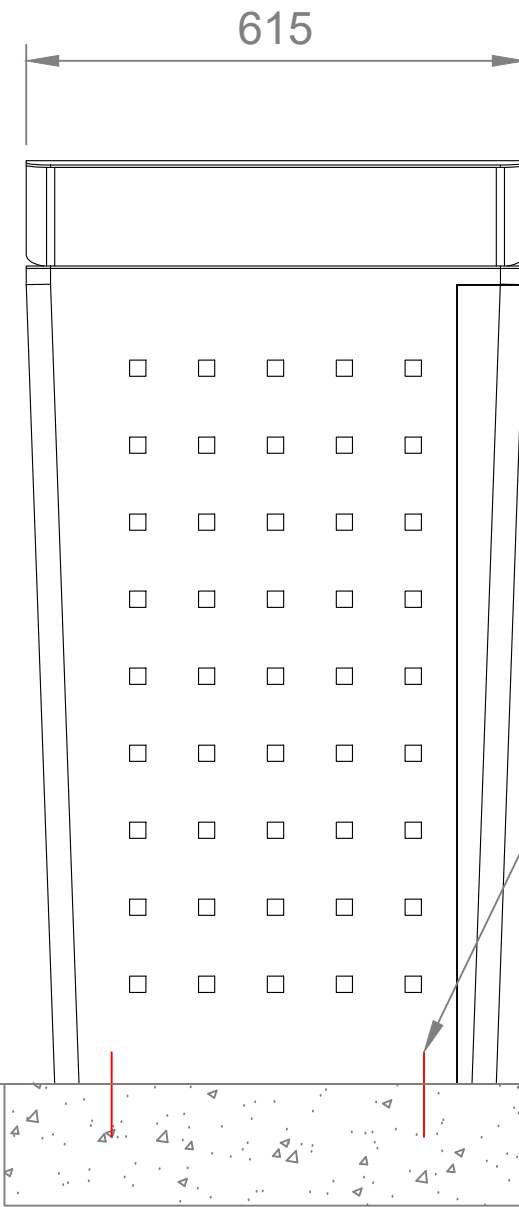
- One 650x650x150mm minimum footing size
- Bolt down to footings with 4x M12x75mm Dynabolts or similar



REAR VIEW



SIDE VIEW



FRONT VIEW

Approximate location of fixing points



Commercial Systems Australia Pty. Ltd.
42 Orchard Street, Kilsyth South, VIC
phone: (03) 9723 4111
fax: (03) 9723 3494
email: design@commercialsystems.com.au

Model Code: LR6157
Model Description: Wyndham Bin Enclosure

Drawing: CS0737

Sheet Number: 0
Sheet Description: Installation Instructions

Drawn By: G.Smith
Date Drawn: 06.03.2012
Revision Number: 4

SCALE 1:1

ALL DIMENSIONS IN MILLIMETERS
UNLESS OTHERWISE STATED
ALL PARTS CENTRED UNLESS SPECIFIED

TOLERANCES	
X	+/- 1mm
X.X	+/- 0.5mm
X.XX	+/- 0.05mm