

INSTALLATION DETAILS (RECOMMENDATIONS ONLY)

CONCRETE FOOTING, 25MPA:

2 QTY AT 300 X 300 X 300mm MINIMUM FOOTING SIZE

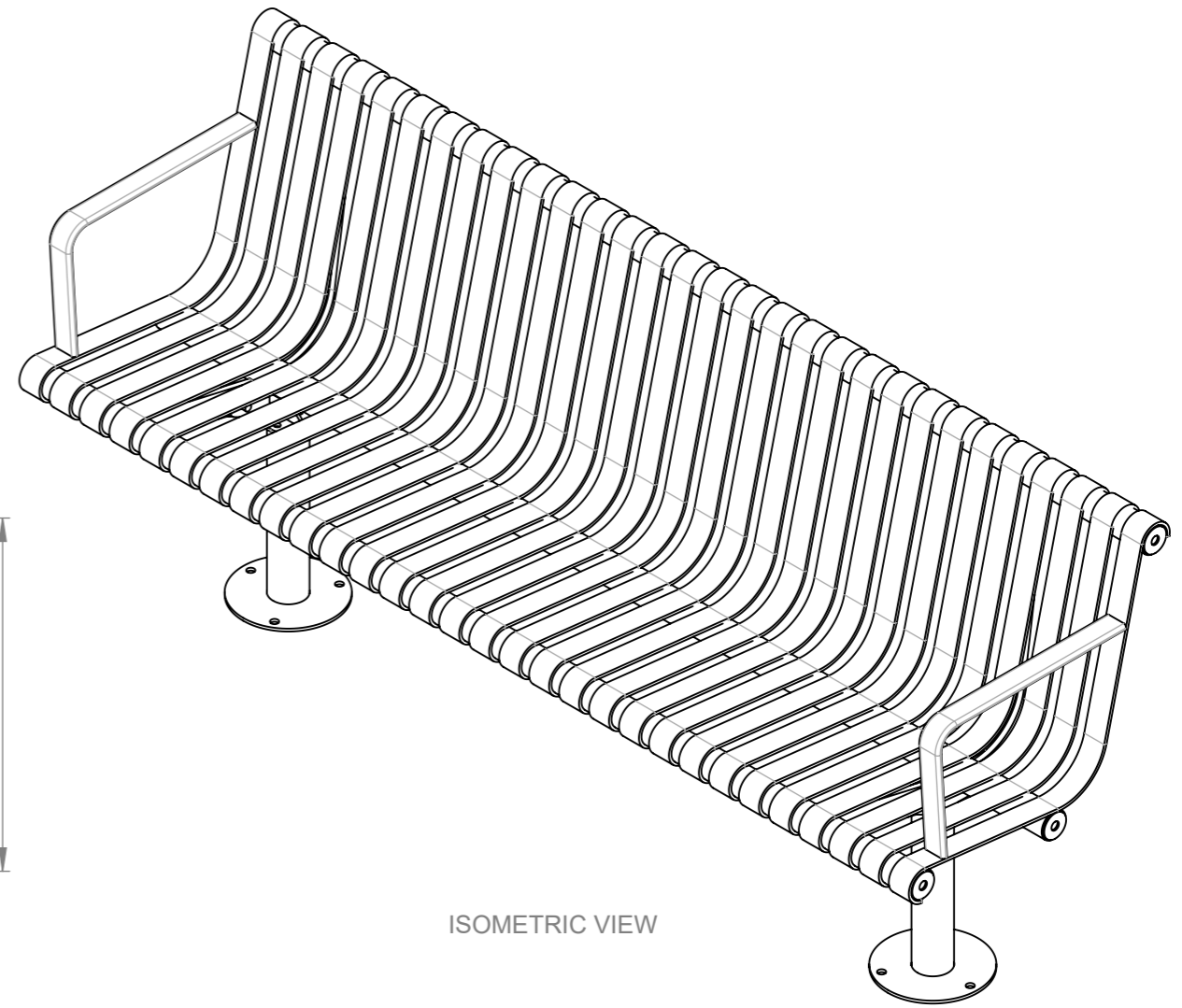
- BOLT DOWN TO FOOTINGS WITH 6X M12X75MM DYNABOLTS OR SIMILAR

- FOR EXTENDED LEG SET LEG INTO FOOTINGS

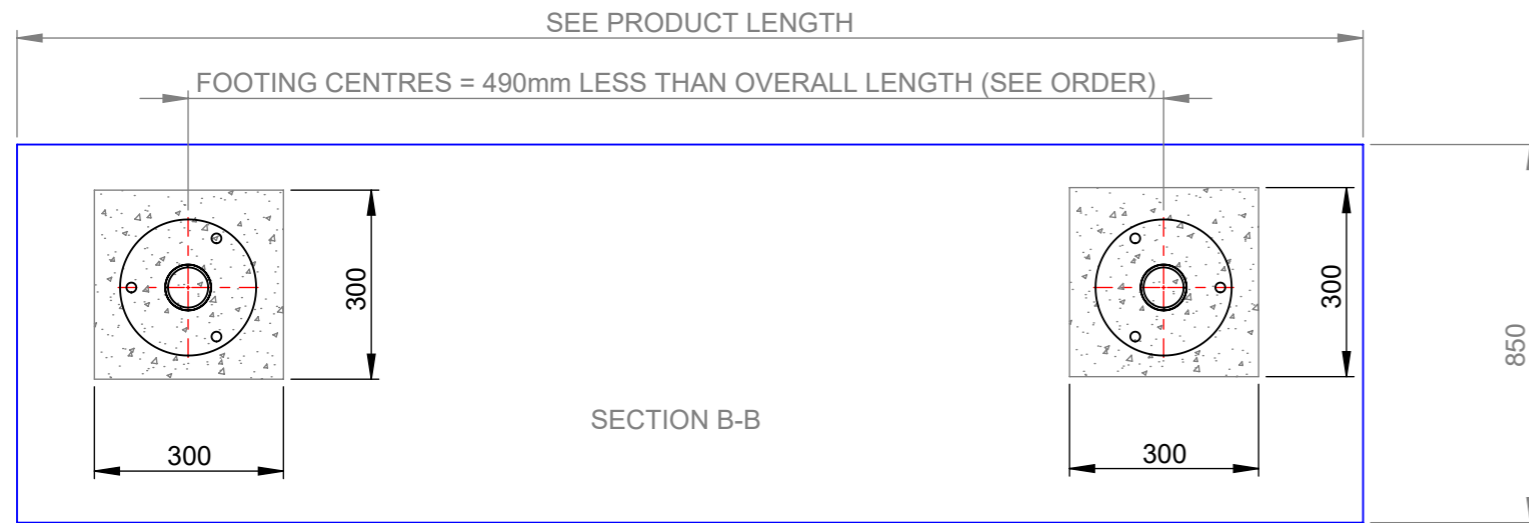
OR

1 QTY CONCRETE SLAB 1480 OR 1780 OR 2020 OR 2380 X 850 X 100mm

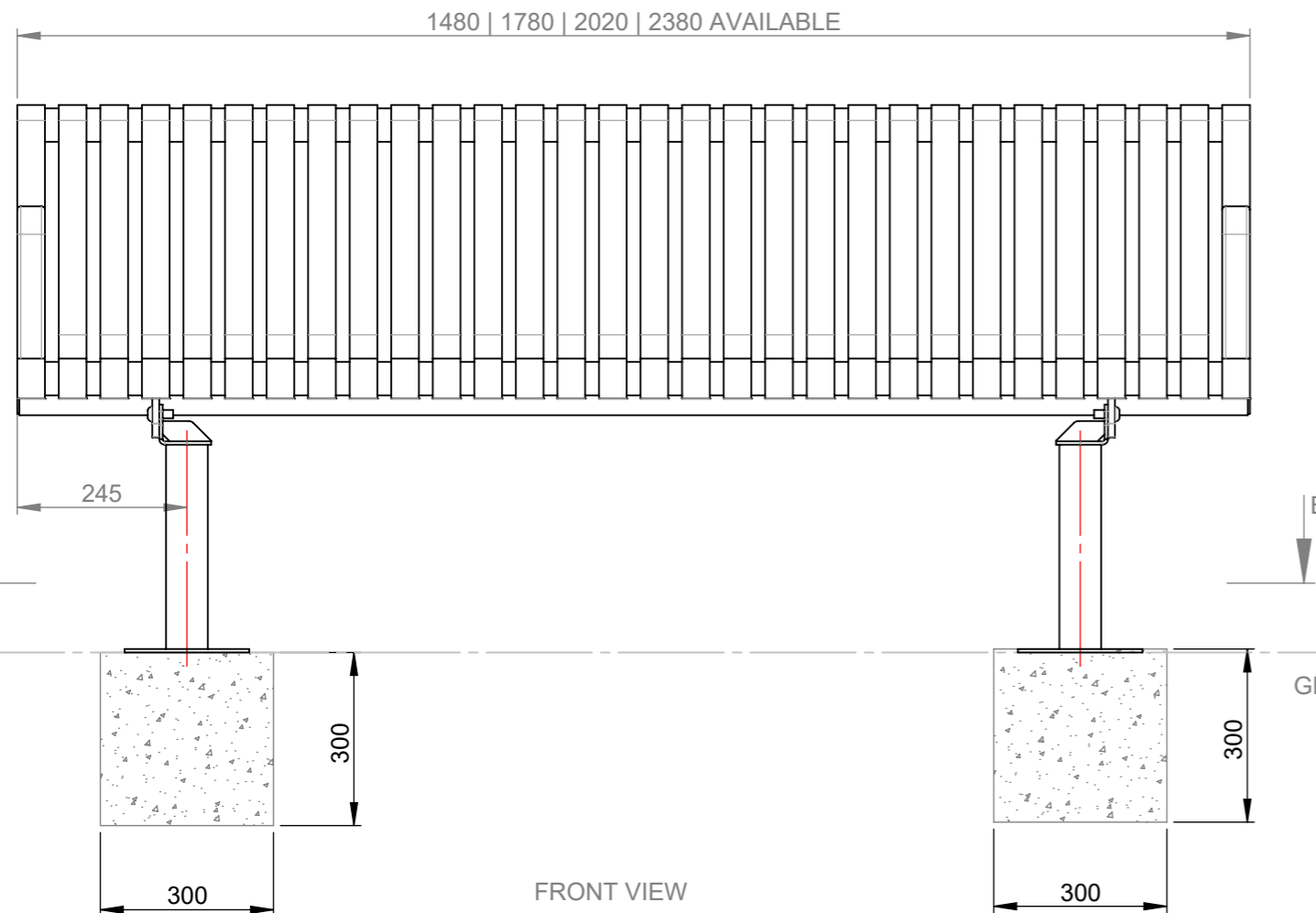
- BOLT DOWN TO FOOTINGS WITH 6X M12X75MM DYNABOLTS OR SIMILAR



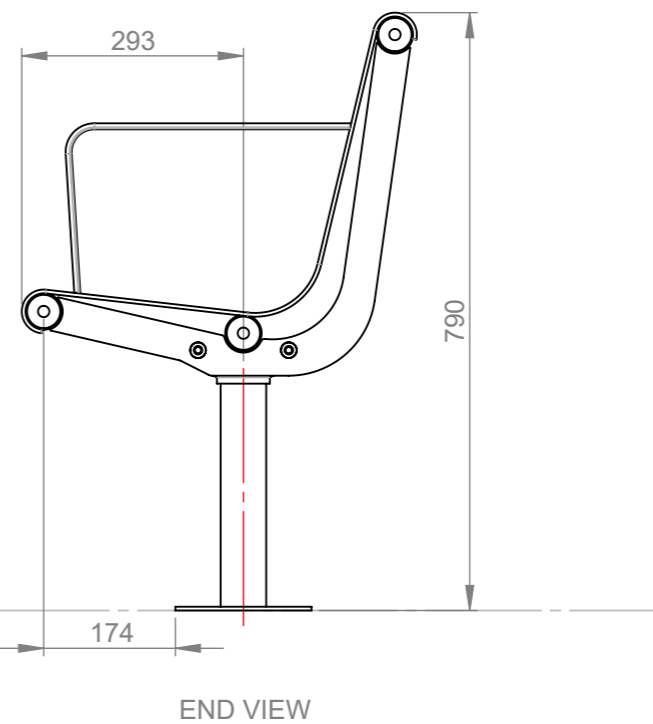
ISOMETRIC VIEW



SECTION B-B



FRONT VIEW



END VIEW



Commercial Systems Australia Pty. Ltd.

42 Orchard Street, Kilsyth South, VIC
 phone: (03) 9723 4111
 fax: (03) 9723 3494
 email: design@commercialsystems.com.au

Model Code: HM3020
 Model Description: Steel Slat Seat

Drawing: CS5898

Sheet Number: 0
 Sheet Description: Install Drawing DDA

Drawn By: GS
 Date Drawn: 6/06/2019
 Revision Number: 1
 Revision Details: N/A
 SCALE 1:10

ALL DIMENSIONS IN MILLIMETERS
 UNLESS OTHERWISE STATED
 ALL PARTS CENTRED UNLESS SPECIFIED

TOLERANCES
 X +/- 1mm
 X.X +/- 0.5mm
 X.XX +/- 0.05mm