

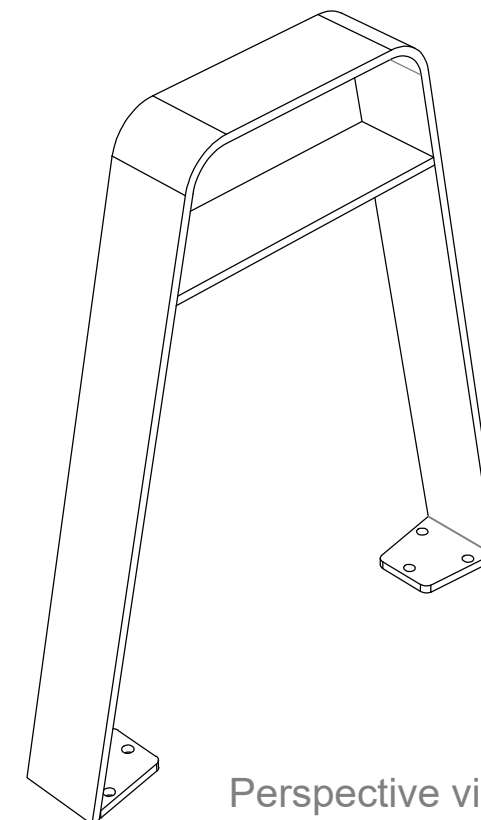
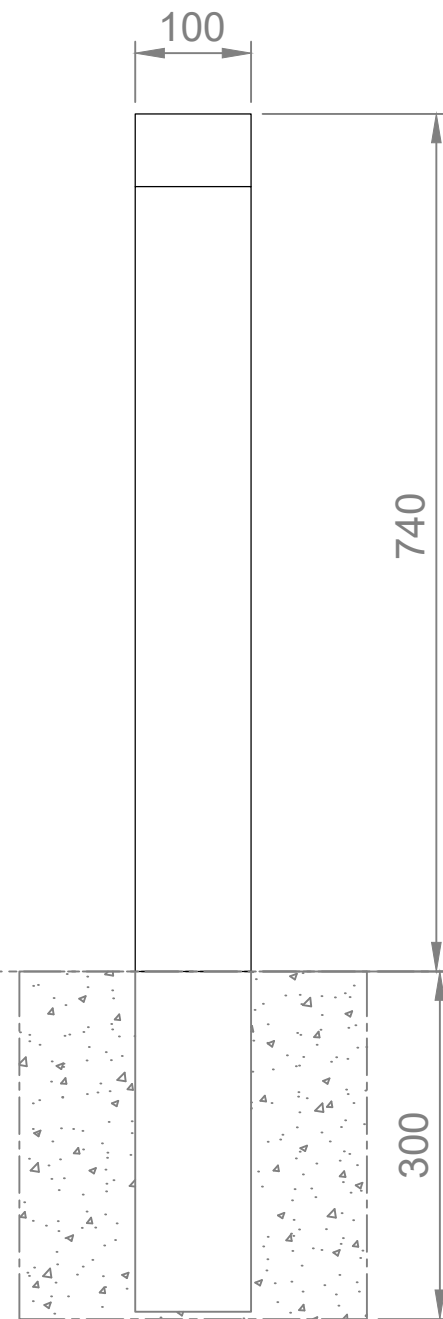
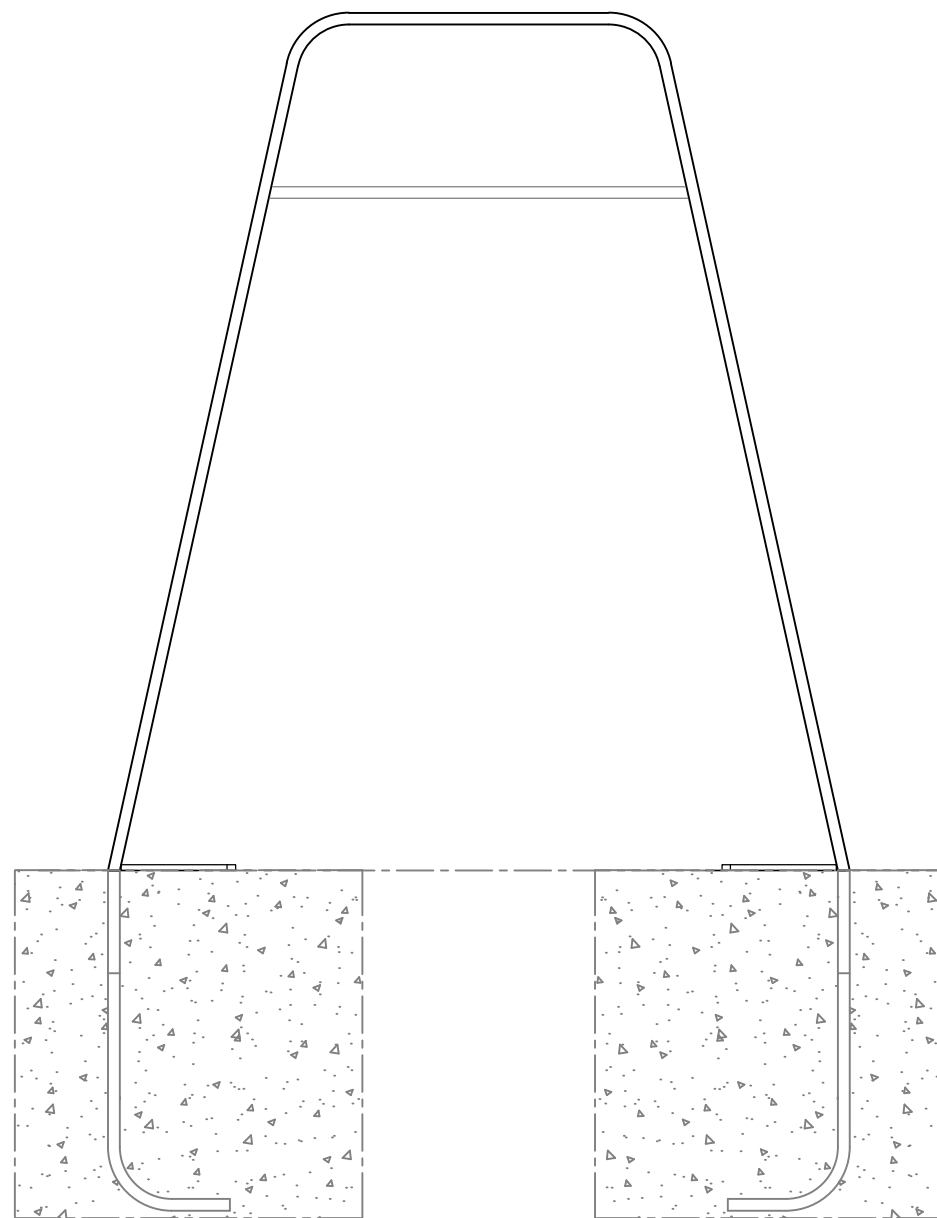
INSTALLATION DETAILS (Recommendations only)

Concrete footings, 25mPa:

- Two 300x300x300mm minimum footing size
 - Bolt down to footings with 6x M12x75mm Dynabolts or similar
 - For extended leg option, set furniture into footings
- or

Concrete slab, 25mPa:

- One 800x300x100mm (minimum) thick slab recommended



Commercial Systems Australia Pty. Ltd.

42 Orchard St, Kilsyth South, VIC

phone: (03) 9723 4111

fax: (03) 9723 3494

email: design@commercialsystems.com.au

Model Code: BR7102

Model Description: Manhattan Bike Leaning Rail

Drawing: CS0874

Sheet Number: -

Sheet Description: Installation

Drawn By: G.Smith

Date Drawn: 27.11.2012

Revision Number: 5

SCALE 1:1

ALL DIMENSIONS IN MILLIMETERS
UNLESS OTHERWISE STATED
ALL PARTS CENTRED UNLESS SPECIFIED

TOLERANCES

X +/- 1mm

X.X +/- 0.5mm

X.XX +/- 0.05mm