

Top view

INSTALLATION DETAILS (Recommendations only)

Concrete footings, 25mPa:

- Two 300x300x300mm minimum footing size
- Bolt down to footings with 6x M12x75mm Dynabolts or similar

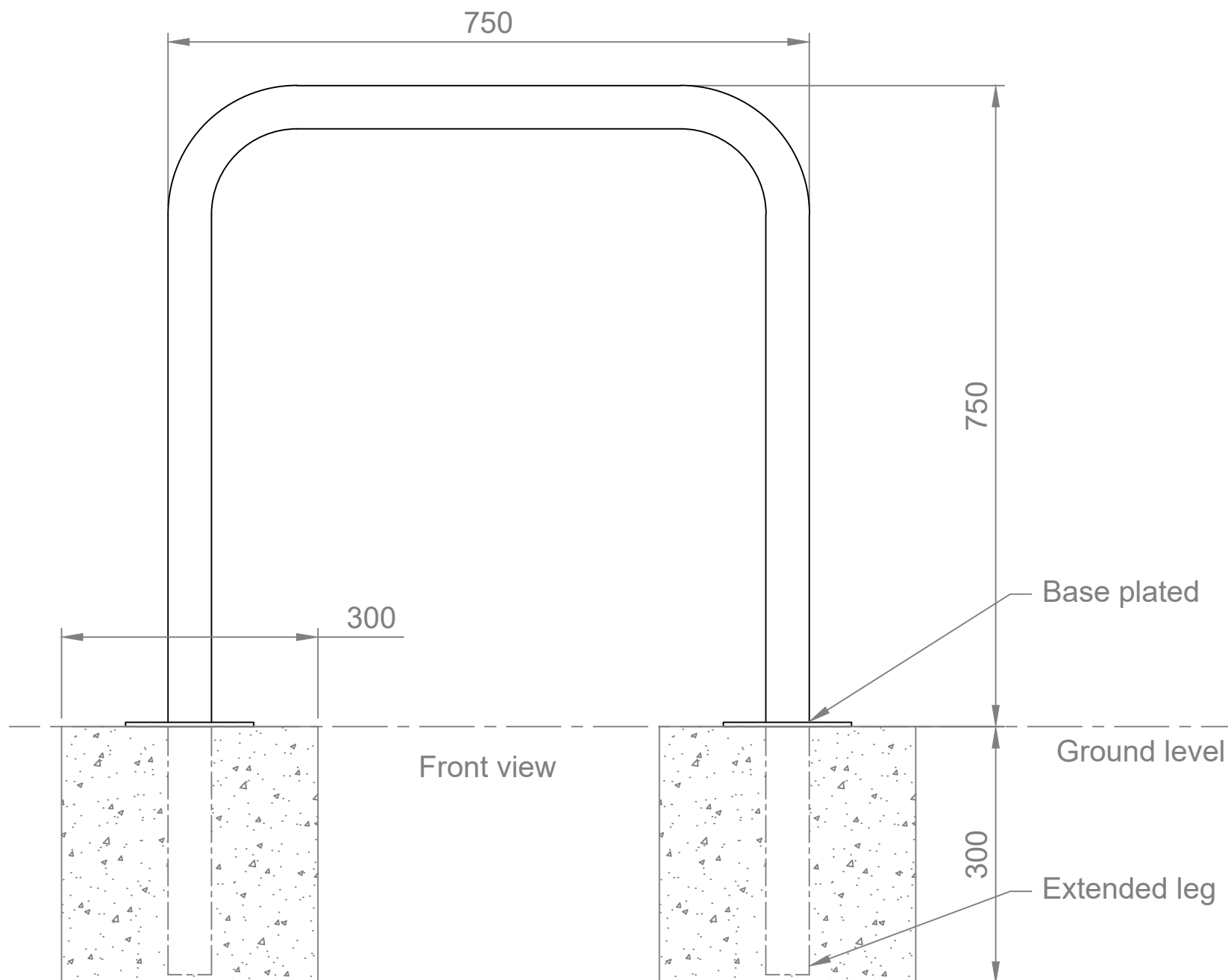
Concrete core drilling - For extended leg

- Core drill approximately Ø51mm to 300mm deep minimum
- Set furniture into footings and fill with concrete

or

Concrete slab, 25mPa:

- One 1050x500x100mm (minimum) thick slab recommended



Front view



Commercial Systems Australia Pty. Ltd.

42 Orchard St, Kilsyth South, VIC
 phone: (03) 9723 4111
 fax: (03) 9723 3494
 email: design@commercialsystems.com.au

Model Code: BR7011
 Model Description: Bike Leaning Rail

Drawing: CS0562

Sheet Number: -
 Sheet Description: Installation

Drawn By: C.Artemiou
 Date Drawn: 29.11.2010
 Revision Number: 1

SCALE 1:1

ALL DIMENSIONS IN MILLIMETERS
 UNLESS OTHERWISE STATED
 ALL PARTS CENTRED UNLESS SPECIFIED

TOLERANCES

X	+/- 1mm
X.X	+/- 0.5mm
X.XX	+/- 0.05mm