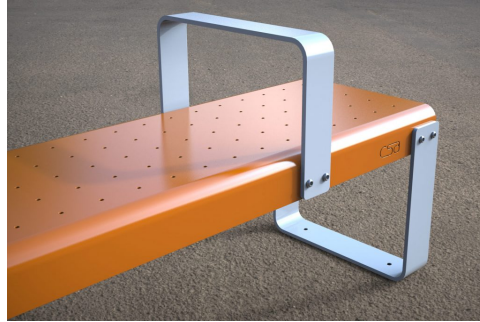




Commercial Systems Australia Pty. Ltd.

HM3081: Edge Bench



DIMENSIONS

Length: 1800mm | Width: 450mm |
Height: 450mm

MATERIALS

Bench Base: Mild steel

Legs and optional Arm Rests: Mild
Steel or Stainless Steel

FINISHES

Bench Base: Powdercoated

Legs and optional Arm Rests:
Powdercoated, Hot Dipped Galvanised
or Stainless Steel

Powdercoat colours can be mixed to
suit project requirements.

Note: Any standard Dulux colour
available for powdercoated frames.
[Click here for Dulux Powdercoating
Chart.](#)

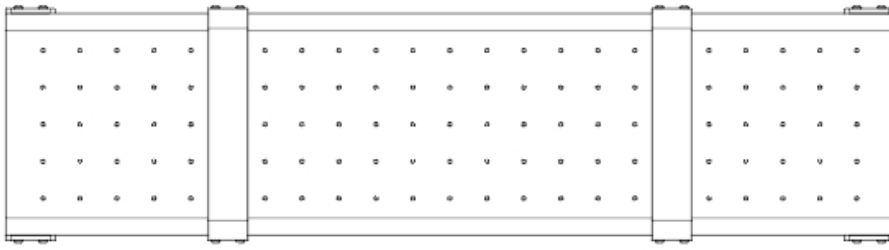
*Eternity, Zeus and Intensity ranges incur
additional charges*

FIXINGS

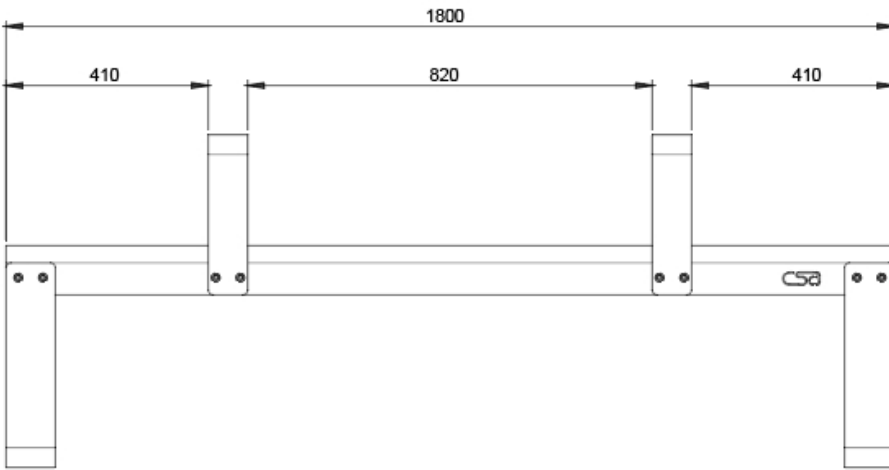
Bolt down fixing | Extended leg

OTHER OPTIONS

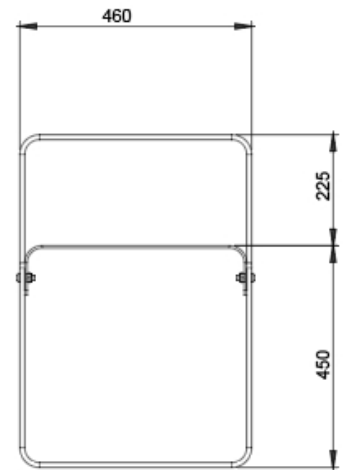
Custom perforations available upon request.



TOP VIEW



FRONT VIEW



END VIEW