



Commercial Systems Australia Pty. Ltd.

HM3080: Edge Seat



DIMENSIONS

Length: 1800mm | Width: 545mm |
Height: 800mm

MATERIALS

Seat Base: Mild steel

Legs or Legs with Arms & Back Rest:
Mild Steel or Stainless Steel

FINISHES

Seat Base: Powdercoated

Legs or Legs with Arms & Back Rest:
Powdercoated, Hot Dipped Galvanised
or Stainless Steel

Powdercoat colours can be mixed to
suit project requirements.

Note: Any standard Dulux colour
available for powdercoated frames.
[Click here for Dulux Powdercoating
Chart.](#)

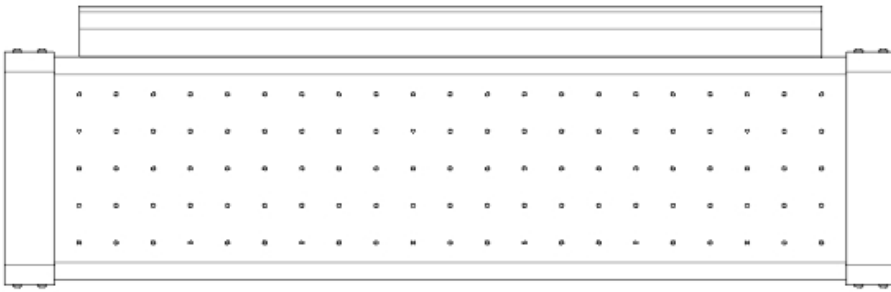
*Eternity, Zeus and Intensity ranges incur
additional charges*

FIXINGS

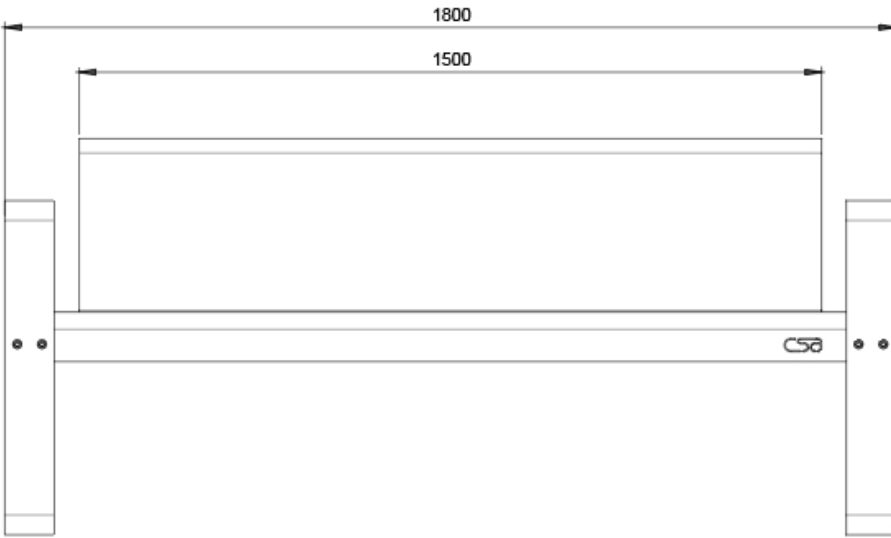
Bolt down fixing | Extended leg

OTHER OPTIONS

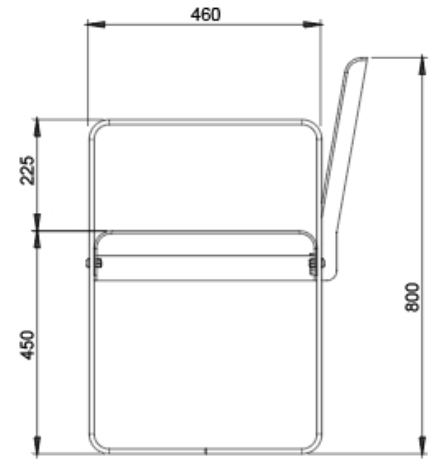
Custom perforations available upon request.



TOP VIEW



FRONT VIEW



END VIEW